



Installing Screen and Light Damper for 52" MegaFlow External Damper Fans

HIRED-HAND®

▲ Warning!

Disconnect All Electrical Power Sources to Fan Before Installing Screen & Light Damper

Tools Required

Pop Rivet Gun
Electric Drill with 5/16" Nut Driver

Parts List

Part Number	Description	Quantity
6403-3500	/GUARD GSLAV Wire Fold 52"	1
1001-5900	NUT #10 U-Type Phos & Oil	16
1007-1000	CLMP Cable Anchoring	16
1004-7041	SCRW Tek #12x1 Hx W Hd Z	16
0404-8096	FAB GS MF 52" BF PANEL COVER	4
1028-2000	GSKT Foam adh..188x.50x50'	4
1005-1464	RIVT AD 41	8
4501-2622	LBL FAN Rotating-Hand Danger	1
4501-2620	LBL FAN Rotating-Head Danger	1
4501-1116	LBL FAN Warning-Hand Danger	1

Description

These instructions are for installing a folding four section screen guard on a 52" MegaFlow External Damper Fans. Also included is a hardware kit for dampening light flow in the four corners of the fan housing.

Assembly Instructions

STEP 1

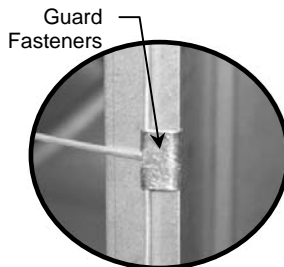
Disconnect all electrical power to the MegaFlow Fan. See Figure 1.



Figure 1 – MegaFlow- Butterfly Fan

STEP 2

Remove the existing interior Wire Guard by bending the Guard Fasteners on the interior side of the Fan. See Figure 2 and Detail A.



Detail A

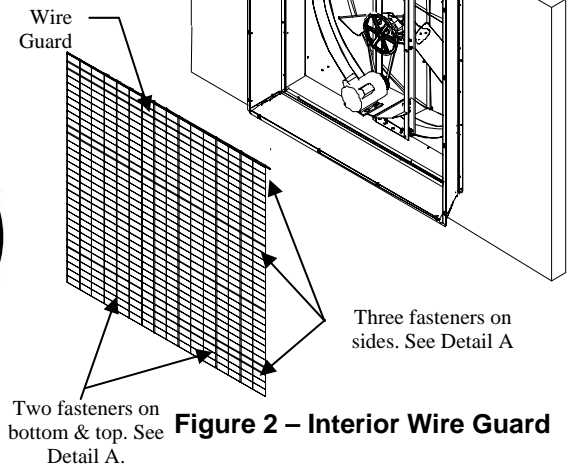


Figure 2 – Interior Wire Guard

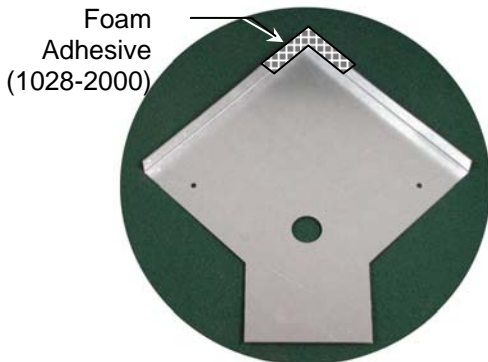


Figure 3 – Panel Cover

STEP 3

Attach Foam Adhesive (1028-2000) to the outside corner of the Panel Cover (0404-8096). See Figure 3.

STEP 4

Insert the Panel Cover in the corner of the Fan Housing. The Cover should fit completely over the exposed bolt head and be flush with the housing. See Figure 4. If necessary, trim foam for better fit.



Figure 5 – Fasten with Pop-Rivets

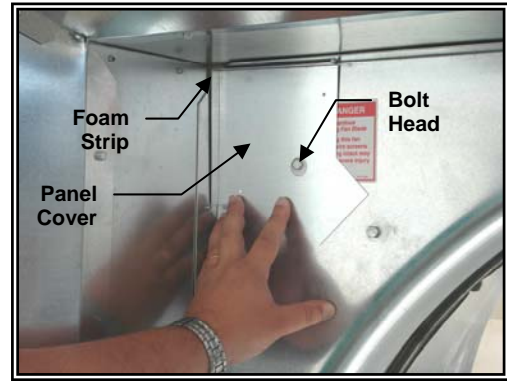


Figure 4 – Install Panel Cover

STEP 5

Fasten the Panel Cover with two 1/8" Pop-rivets (1005-1464). See Figure 5.

STEP 6

Repeat Steps 3, 4 and 5 for the other three corners of the fan housing.

STEP 7

Replace the Danger / Warning Labels that were covered up by adding the Panel Covers. See Figure 6.

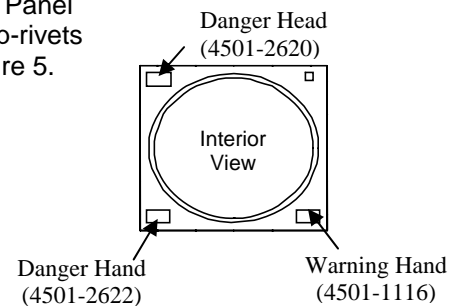


Figure 6 – Install Danger / Warning Labels

STEP 8

Install the new Wire Guard (6403-3500) using sixteen Clamps (1007-1000), Screws (1004-7041) and U-Nuts (1001-5900). The Clamps on the Corner are located 4" from the corner. Clamps in the middle of the Guard are located 1 1/2" from the center of the Guard. See Figure 7.

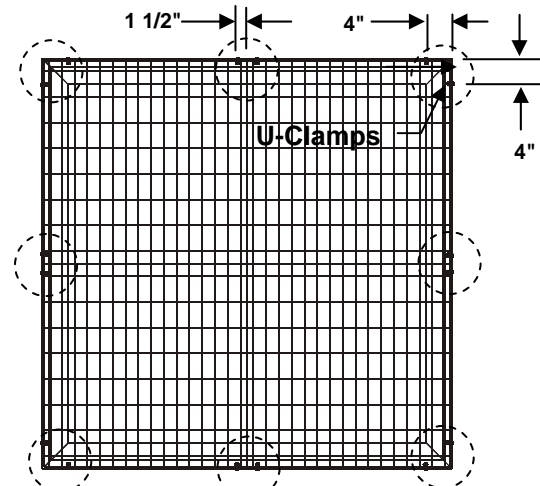


Figure 7 – Locate U-Clamps

STEP 9

Slide the U-Nut onto edge of fan inlet. Then place Clamp on Wire Guard as shown in Figure 8. Put screw thru Clamp on Guard and fasten with self tapping Screw. Repeat installation around fan. If necessary, loosen screws to adjust Guard fit.



Figure 8 – Use Self tapping Screws

STEP 10

Reconnect electrical power to the fan and check for proper operation.

STEP 11

Installation complete.