



52" Mega Flow SW Fan Motor Insulator Kit

HIRED-HAND®

Motor Insulator Kit (6450-8401)

Part Number	Qty	Description
0406-10348	1	Fan Insulator Plate
1901-0162	1	Ground Wire
1004-6043	8	5/16 x 18 Screw
1001-1735	8	5/16 x 18 Lock Nut
1004-2605	8	5/16 Flat Washer
1003-2492	1	8 x 1/2 Tek Screw

IMPORTANT!

Locate packing slip and make sure that all listed parts are enclosed. If not, call your Hired-Hand distributor immediately. Please read and understand all instructions in this manual before installing insulator.

Tools Required:	5/16" Ratchet Set
Phillips Head Screwdriver	5/16" Wrench
Drill	1/4" Driver Bit

CAUTION!

Turn Off all Power to the fan before installing the Motor Insulator Plate.

Assembly Instructions

1. Turn off all power to the fan.
2. Remove the belt from the pulleys and the belt tenensioner.
3. Remove the four 5/16" cap screws holding the motor in place. See Figure 1. Set the motor aside.
4. Install the Insulator Plate to the Fan Cross Brace as shown in Figure 2. The 5/16" cap screws are inserted from the top of the Insulator Plate. Also insert four 5/16" screws and washers from the bottom of the Insulator Plate to attach the motor in the next step.
5. See Figure 3. Set the motor in place over the Insulator Plate and over the four 5/16" screws inserted in the previous step. Place a Phillips head screwdriver from under the Insulator Plate to hold the heads of the 5/16" motor mounting bolts. Tighten the Motor to the Cross Brace.

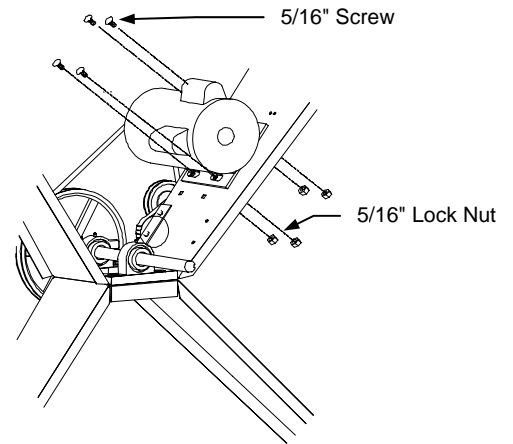


Figure 1
Remove Motor from Fan Cross Brace

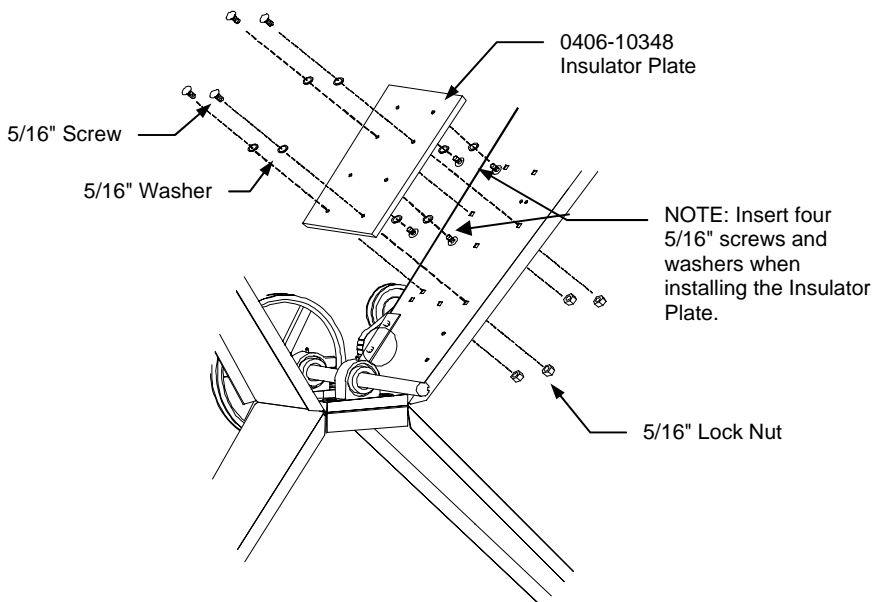


Figure 2
Insulator Plate to Fan Cross Brace

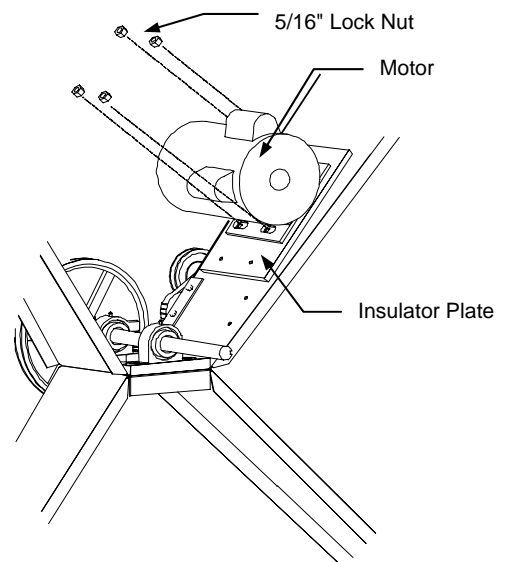
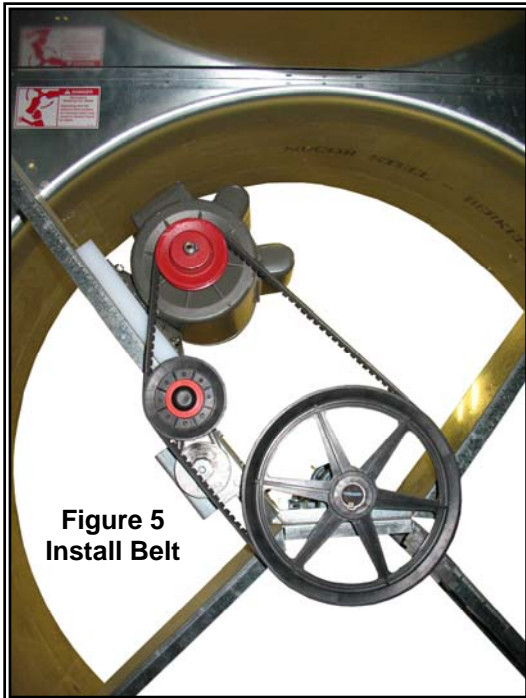


Figure 3
Motor to Insulator Plate

⚠ WARNING

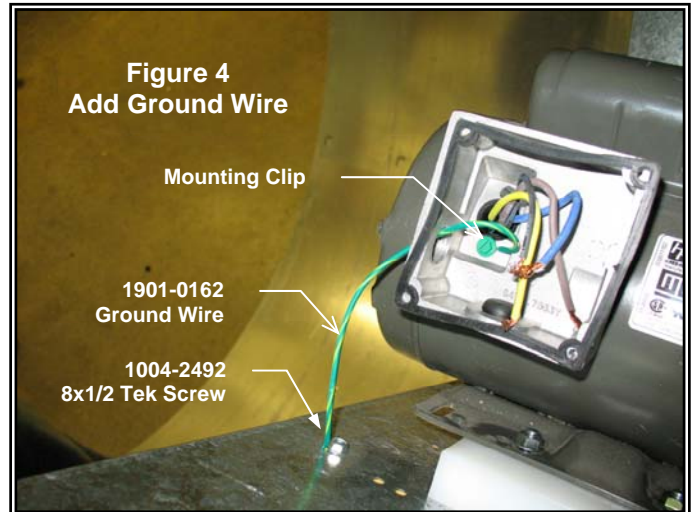
The motor must be grounded to the frame of the fan! Failure to properly ground the motor may cause a safety hazard and void the warranty.

6. Open the junction box and install the green wire ground under the mounting clip as shown in Figure 4.
7. Drill an 8x1/2 Tek Screw on the side of the mounting bracket. Fasten the ground wire to the mounting bracket. See Figure 4.



**Figure 5
Install Belt**

8. Install the belt over the pulleys and the belt tenor. See Figure 5.
9. Reconnect power and check for proper fan operation.
10. Installation complete.



**Figure 4
Add Ground Wire**

Mounting Clip

1901-0162
Ground Wire

1004-2492
8x1/2 Tek Screw