



48" MEGA-FLOW CONE FAN Fan & Cone Installation

BEFORE INSTALLING

1. Inspect fan for damage in transit. Check for loose, missing, or damaged parts.
2. If there are any missing parts or if there is any shipping damage, do not attempt to operate fan. Contact your Distributor.

⚠ WARNING!

1. Disconnect power source before installing or servicing fan. Failure to disconnect power source can result in property damage, serious injury, or death.
2. When connected to an automatic controller, FAN MAY START AT ANY TIME.
3. **IMPORTANT!** Before Operating Fan, Inspect Fan For any Object That May Obstruct Blade Rotation.

MAINTENANCE

1. Read WARNING statements before proceeding.
2. Blades, motor, and wire guards should be cleaned periodically to decrease vibration and ensure maximum fan life. Remove dirt with a dry brush or compressed air. **DO NOT SPRAY MOTOR WITH WATER OR CLEANING FLUIDS.**
3. Fan performance may be greatly reduced by damaged or dirty shutter. Clean and inspect shutter periodically to ensure maximum fan performance.

IMPORTANT!

When this fan is used in a life support ventilation system where failure could result in loss or injury, the user should provide adequate backup ventilation, or accept the risk of such loss or injury.



48" Mega-Flow Fan & Cone

INSTALLATION

1. Fan should be securely mounted to wall. Refer to mounting instructions on sheet 3 of this manual.
2. The cone and wire guard must always be installed for your protection.
National safety codes require that guards be installed if within 7 feet (2.1 m) of floor or within reach of personnel or livestock.
3. If thermostat is used, connect fan power cord to controller.



Limited Warranty

1. Warranty

The GSI Group, LLC. ("GSI") warrants products which it manufactures to be free of defects in materials and workmanship under normal usage and conditions for a period of 12 months after sale to the original end-user or if a foreign sale, 14 months from arrival at port of discharge, whichever is earlier. The end-user's sole remedy (and GSI's only obligation) is to repair or replace, at GSI's option and expense, products that in GSI's judgment, contain a material defect in materials or workmanship. Expenses incurred by or on behalf of the end-user without prior written authorization from the GSI Warranty Group shall be the sole responsibility of the end-user.

Warranty Extensions: The Limited Warranty period is extended for the following products:

	Product	Warranty Period
AP Fans and Flooring	Performer Series Direct Drive Fan Motor	3 Years
	All Fiberglass Housings	Lifetime
	All Fiberglass Propellers	Lifetime
AP/Cumberland	Flex-Flo/Pan Feeding Systems	2 Years
Cumberland Feeding/Watering Systems	Feeder System Pan Assemblies	5 Years **
	Feed Tubes (1.75" & 2.00")	10 Years *
	Centerless Augers	10 Years *
	Watering Nipples	10 Years *
Grain Systems	Grain Bin Structural Design	5 Years
Grain Systems Farm Fans Zimmerman	Portable & Tower Dryers	2 Years
	Portable & Tower Dryer Frames and Internal Infrastructure †	5 Years

* Warranty prorated from list price:
 0 to 3 years – no cost to end-user
 3 to 5 years – end-user pays 25%
 5 to 7 years – end-user pays 50%
 7 to 10 years – end user pays 75%

** Warranty prorated from list price:
 0 to 3 years – no cost to end-user
 3 to 5 years – end-user pays 50%

† Motors, burner components and moving parts not included. Portable Dryer screens included. Tower Dryer screens not included.

GSI further warrants that the frame, basket and excluding all auger and auger drive components of the portable and tower drier shall be free from defects in materials for a period of time beginning on the twelfth (12th) month from the date of purchase and continuing until the sixtieth (60th) month from the date of purchase (extended warranty period). During the extended warranty period, GSI will replace the frame or basket components that prove to be defective under normal conditions of use without charge, excluding the labor, transportation, and/or shipping costs incurred in the performance of this extended warranty.

Conditions and Limitations:

THERE ARE NO WARRANTIES THAT EXTEND BEYOND THE LIMITED WARRANTY DESCRIPTION SET FORTH ABOVE. SPECIFICALLY, GSI MAKES NO FURTHER WARRANTY OF ANY KIND, EXPRESS OR IMPLIED, INCLUDING, WITHOUT LIMITATION, WARRANTIES OF MERCHANTABILITY OR FITNESS FOR A PARTICULAR PURPOSE OR USE IN CONNECTION WITH: (i) PRODUCT MANUFACTURED OR SOLD BY GSI OR (ii) ANY ADVICE, INSTRUCTION, RECOMMENDATION OR SUGGESTION PROVIDED BY AN AGENT, REPRESENTATIVE OR EMPLOYEE OF GSI REGARDING OR RELATED TO THE CONFIGURATION, INSTALLATION, LAYOUT, SUITABILITY FOR A PARTICULAR PURPOSE, OR DESIGN OF SUCH PRODUCTS.

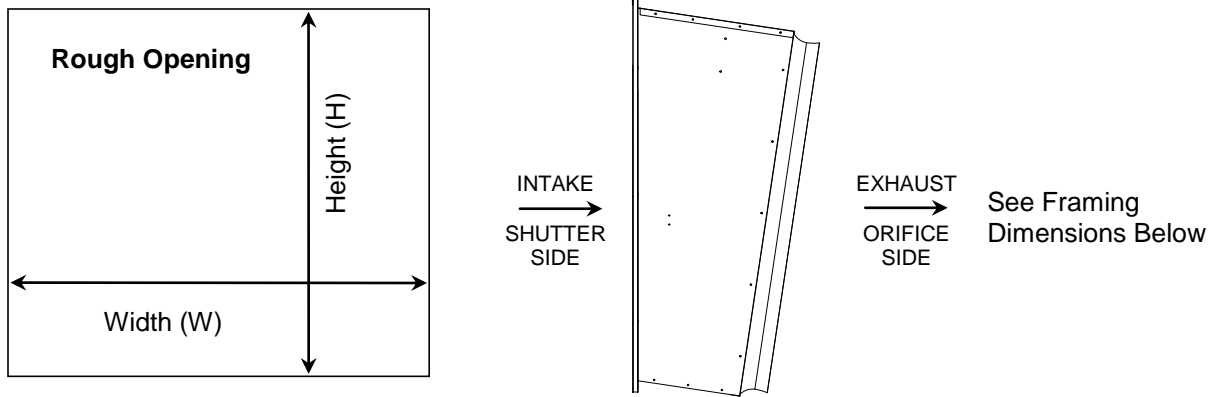
GSI shall not be liable for any direct, indirect, incidental or consequential damages, including, without limitation, loss of anticipated profits or benefits. The sole and exclusive remedy is set forth in the Limited Warranty, which shall not exceed the amount paid for the product purchased. This warranty is not transferable and applies only to the original end-user. GSI shall have no obligation or responsibility for any representations or warranties made by or on behalf of any dealer, agent or distributor.

GSI assumes no responsibility for claims resulting from construction defects or unauthorized modifications to products which it manufactured. Modifications to products not specifically delineated in the manual accompanying the equipment at initial sale will void the Limited Warranty.

This Limited Warranty shall not extend to products or parts which have been damaged by negligent use, misuse, alteration, accident or which have been improperly/inadequately maintained. This Limited Warranty extends solely to products manufactured by GSI.. Prior to installation, the end-user has the responsibility to comply with federal, state and local codes which apply to the location and installation of products manufactured or sold by GSI.

FRAMING INSTRUCTIONS

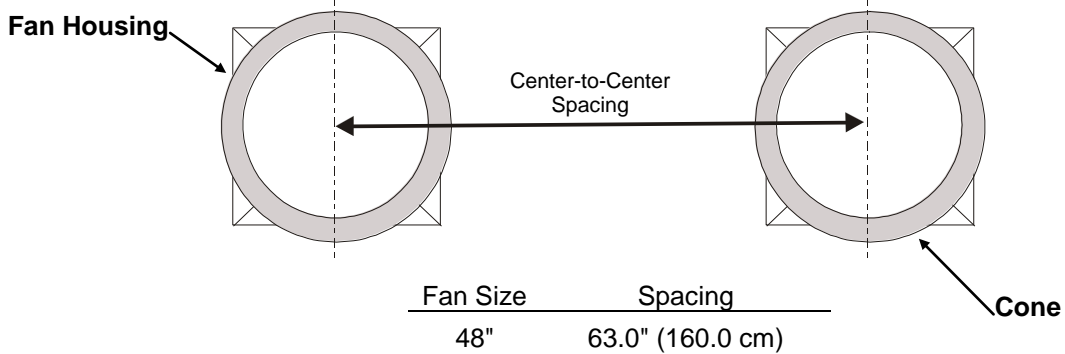
FRAMING DIAGRAM



FRAMING DIMENSIONS

Fan Size	Fan Model	Rough Opening	
		Width	Height
48"	Mega Flow Cone Fan	54.75" (139 cm)	55.75" (141.6 cm)

FAN SPACING WITH CONE



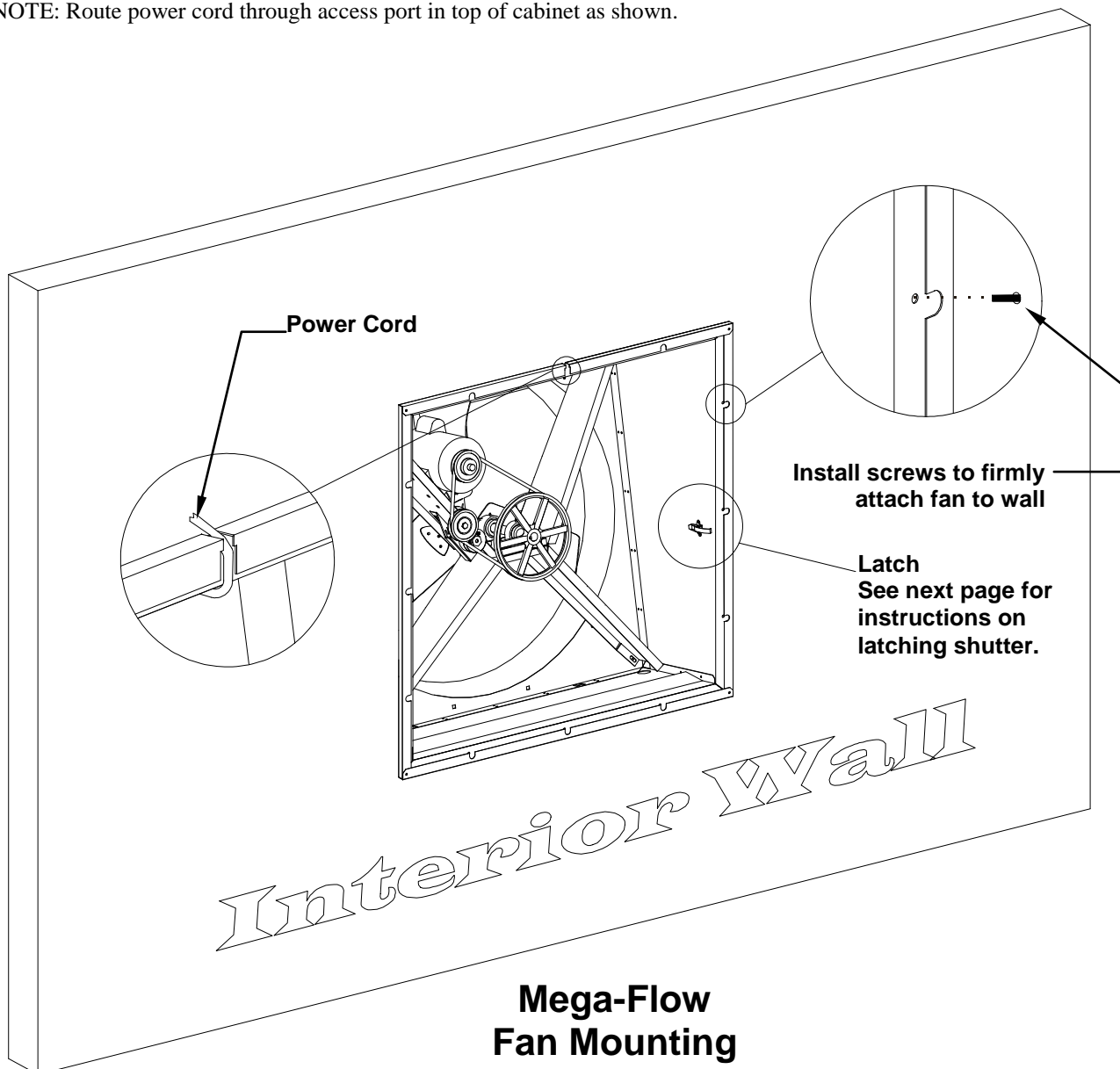
MOUNTING INSTRUCTIONS

CAUTION!

Fan Is Heavy!
Do Not Attempt To Lift Fan Without Sufficient Workers And Equipment.

1. Carefully lift fan into position.
2. Securely attach fan to wall with screws (not provided).

NOTE: Route power cord through access port in top of cabinet as shown.



CONE INSTALLATION 48"

Packing List For One (1) Cone Kit	
Four (4) Cone Sections	Four (4) Corner Brackets
One (1) Wire Guard	Five (5) 3/8"-16 x 1 Cap Screws
Sixteen (16) 1/4-20 Nuts	Ten (10) 3/8" Washers
Sixteen (16) 1/4-20 x 3/4 Bolts	Five (5) 3/8"-16 Nuts
Sixteen (16) #14 x 1" TEK Screws	

Tools Required	
7/16 in. (11 mm) Wrench	Ratchet
7/16 in. (11 mm) Socket	Marker or Scribe
Cordless drill and bit (For Installing TEK screws)	

⚠WARNING!

During Cone Installation Be Sure That Fan Motor Is Not Plugged Into Any Power Source.
Always Double Check Power Sources.

Assembly and Installation of Cone 48"

1. Lay cone pieces flat with their flanges pointed up.
Refer to Figure 1.
2. For each panel, bend tabs upward in same direction as flange.
3. Arrange panels with flanges and tabs contacting as shown in **Figure 1**. Align holes of flanges and tabs.

NOTE: Bend tabs by hand. See **Inset Figure 1**.

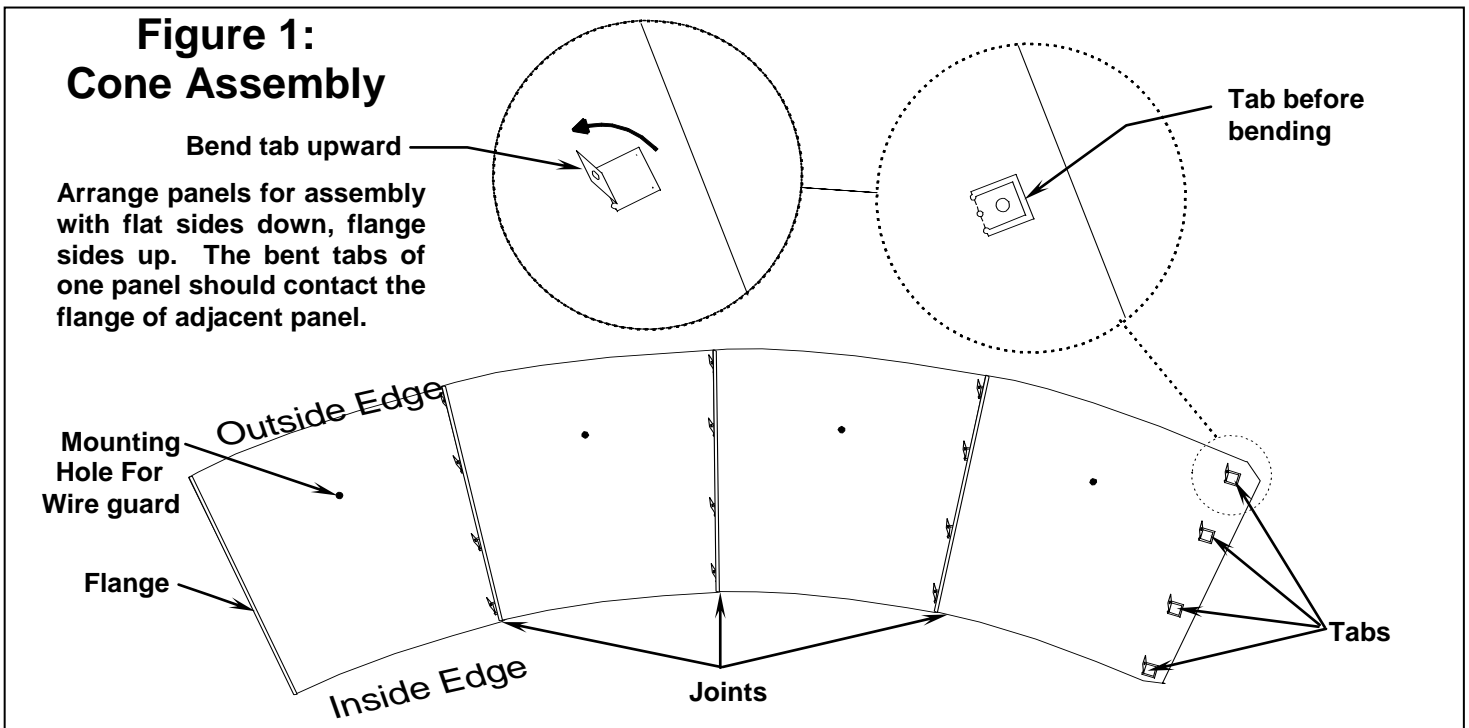
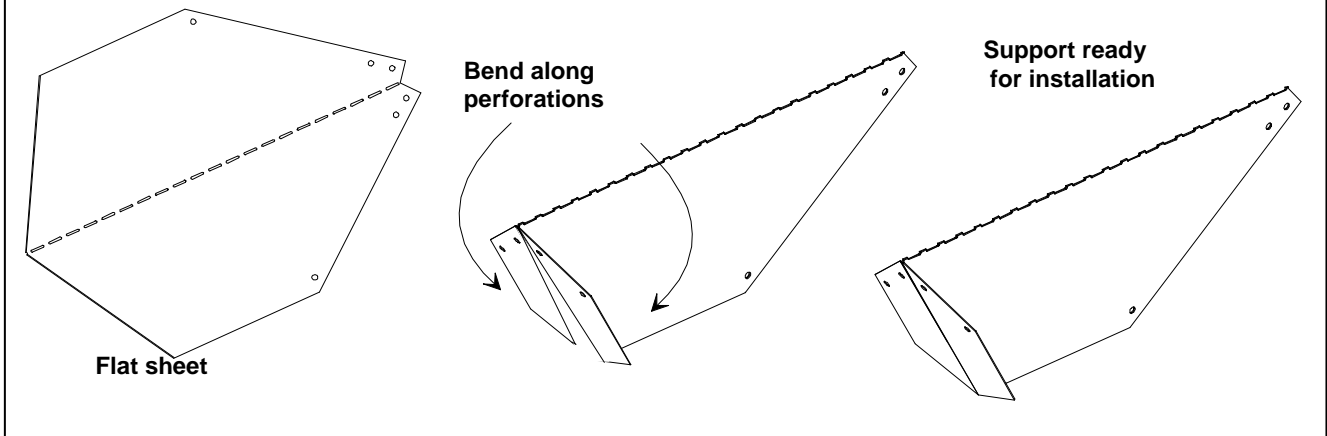


Figure 2: Form Support Brackets



4. Four corner support brackets are supplied as flat perforated metal sheets with flanges. Bend each sheet along perforations as shown in **Figure 2** to form support brackets.
5. **Figure 3** shows the three different corner support brackets and the correct attachment holes for mounting to the specific cone size.
6. Install three corner brackets to joints of panel assembly as shown in **Figure 4**. Attach each corner bracket to two holes in the cone nearest the small cone opening with 1/4" bolts and nuts. To install bolt, insert bolt through hole of bracket, then through hole of flange, and into hole of tab as shown in **Figure 4**. **NOTE:** Start nuts onto bolts. Leave nuts and bolts loose until cone is installed in unit.

Figure 3: Support Bracket Mounting Holes

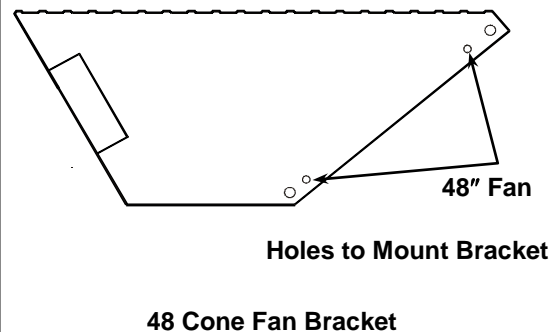
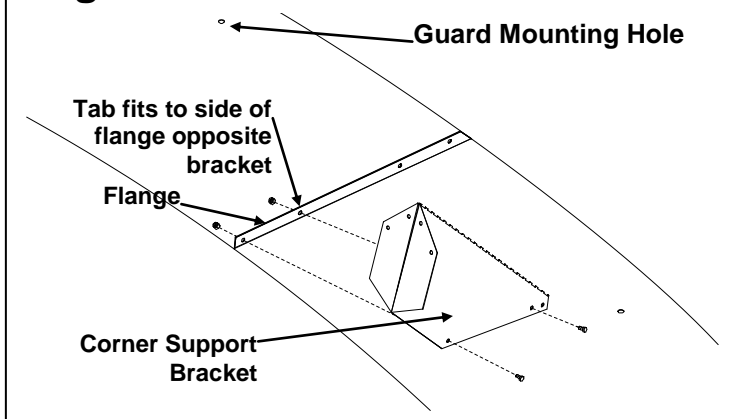
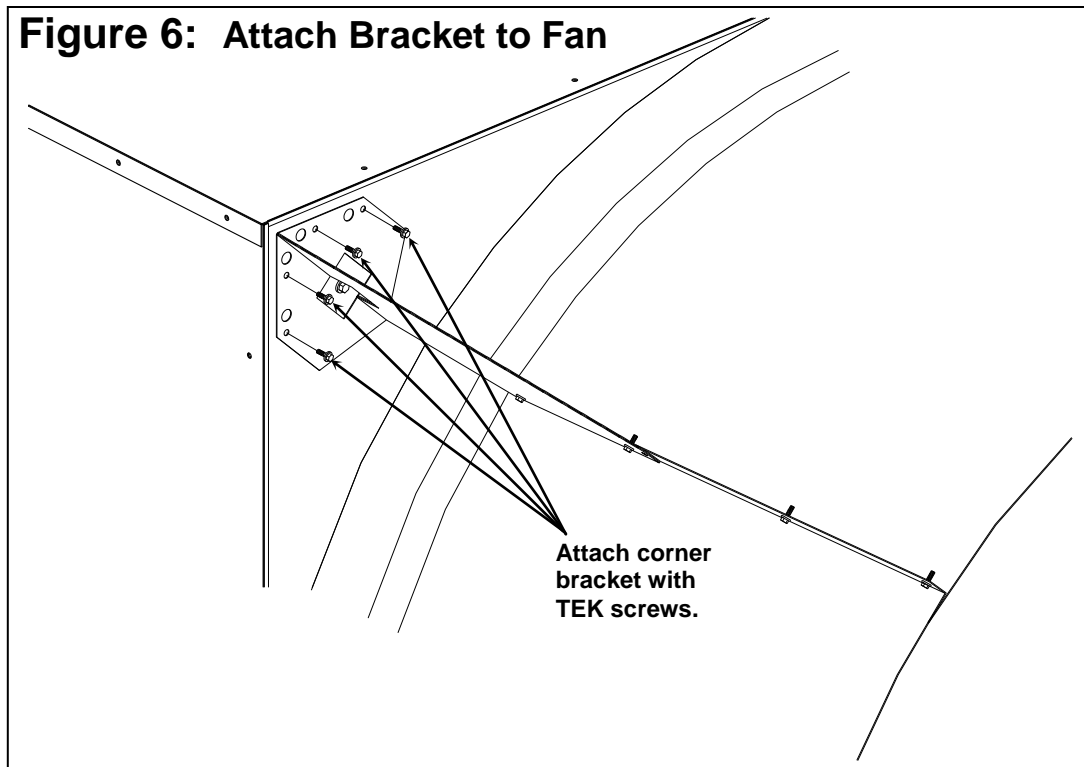
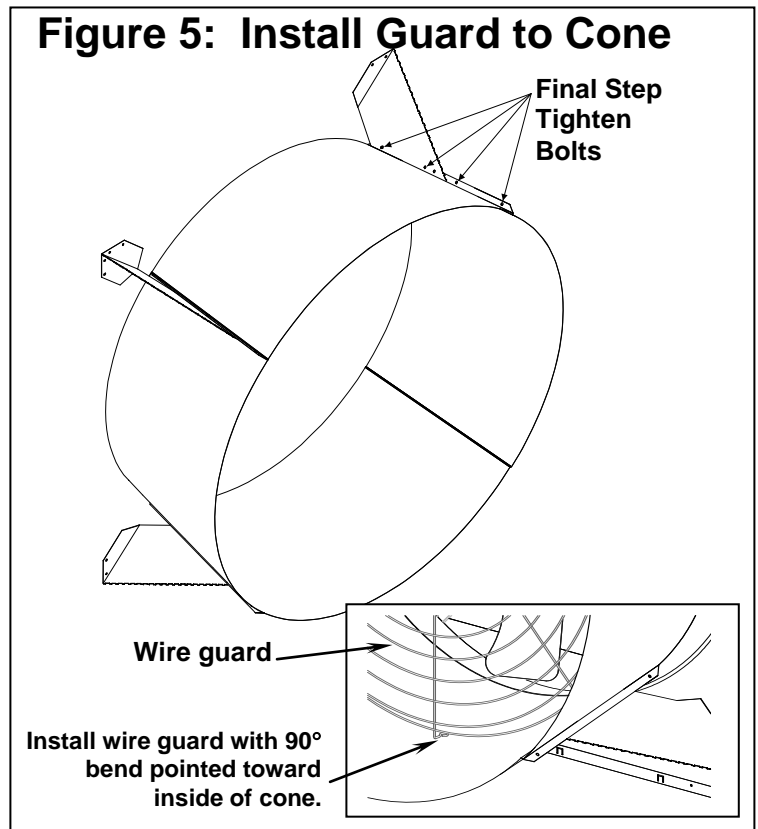


Figure 4: Install Bracket to Cone



7. Carefully lift the attached panels and wrap panels into cone shape as shown in **Figure 5**. Attach final corner bracket with 1/4" bolts and nuts to fasten cone together. The assembled cone with corner brackets should now appear as in **Figure 5**.
8. Disconnect all electrical power from fan.
9. Carefully lift and support cone assembly. Fit cone into position over outside of fan orifice on exhaust side of fan. At this point, tighten bolts and nuts as required to achieve a tight fit of cone around orifice.
10. While supporting cone assembly, attach a top corner bracket to fan housing. Position bracket, install 1" TEK screws into fan housing through holes in bracket. **See Figure 6**.
11. Repeat **Step 10** to attach corner bracket to opposite corner of fan housing. Cone assembly should now hang in place.
12. Attach two remaining corner brackets of cone to fan housing with 1" TEK screws.
13. Install wire guard (supplied) to cone. Align wire guard with four mounting holes in cone. Install cap screws, washers and nuts to guard.
14. Reconnect power to fan.
15. Cone installation complete.



SHUTTER INSTALLATION

Shutter Fits Onto Intake Side Of Fan

1. Lift shutter.
2. Check that shutter is flush against housing at all points.
3. Manually open vanes of shutter to gain access to latches on fan housing. Lock shutter latches.
4. Installation complete.

With shutter in place, manually open vanes of shutter to access latch. Fasten latch (located inside fan housing) into slot in flange of shutter. Firmly lock down latch. Repeat procedure to latch opposite side of shutter.

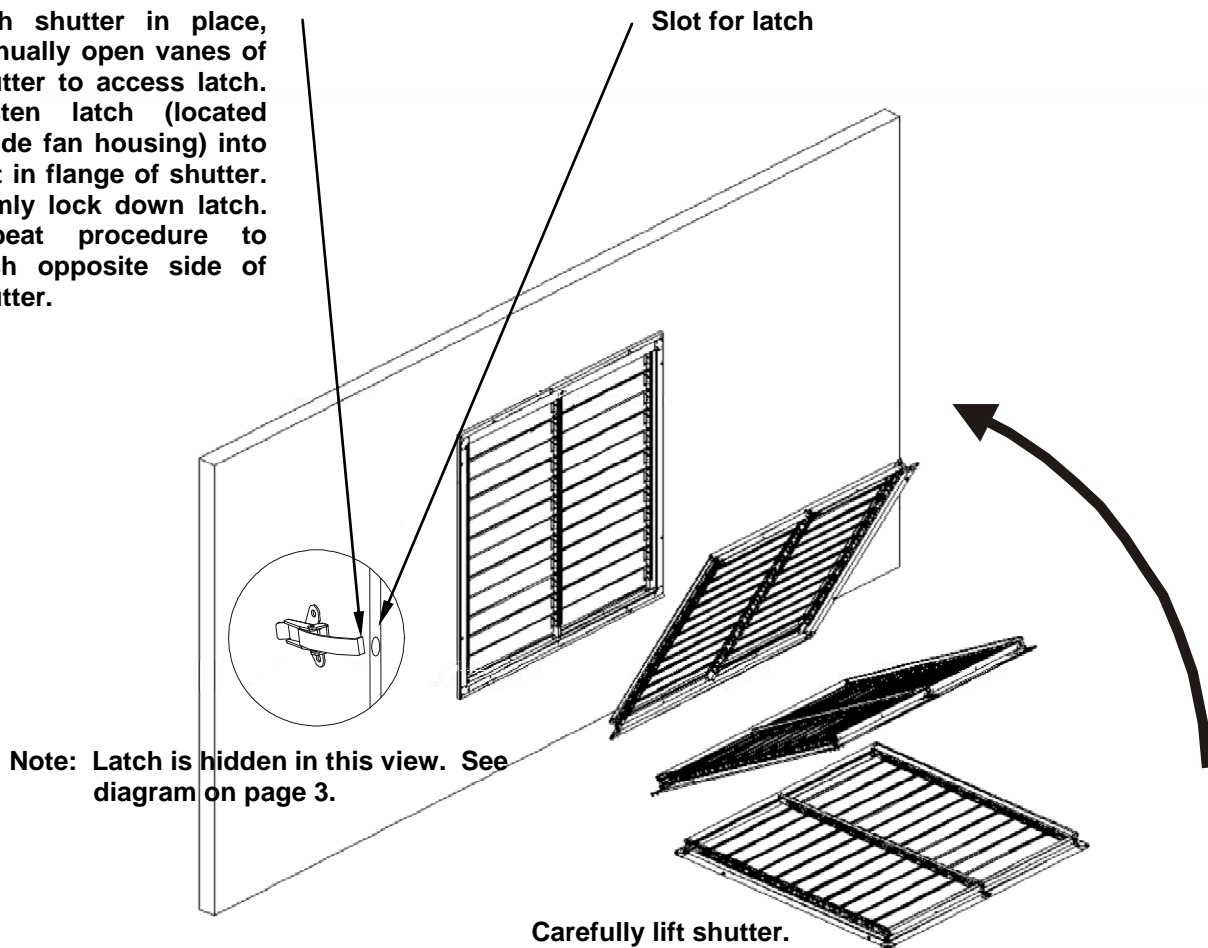


Figure 7: Shutter Installation



Copyright © 2015 by The GSI Group, LLC
Printed in the USA