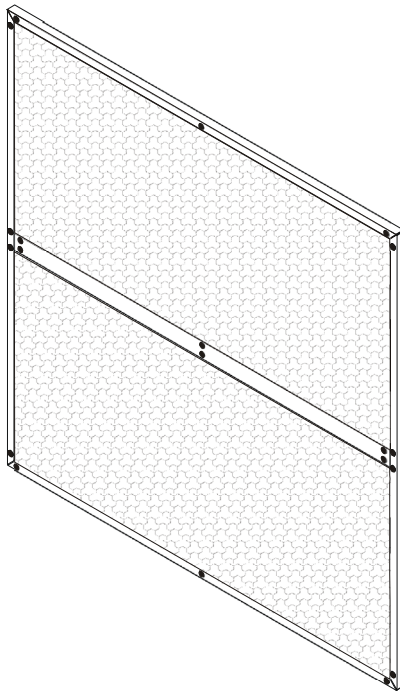




MegaFlow Insulation Panel - Installation

HIRED-HAND®



MegaFlow Insulation Panel takes the place of your MegaFlow shutters to provide quality insulation. The Insulation is used to block the air from the outside and maintains a preferable temperature on the inside.

1. Inspect MegaFlow Insulation Panel for damage. If there are any missing parts or shipping damage contact your distributor.

MAINTENANCE

Check MegaFlow Insulation Panel periodically to ensure premium condition.

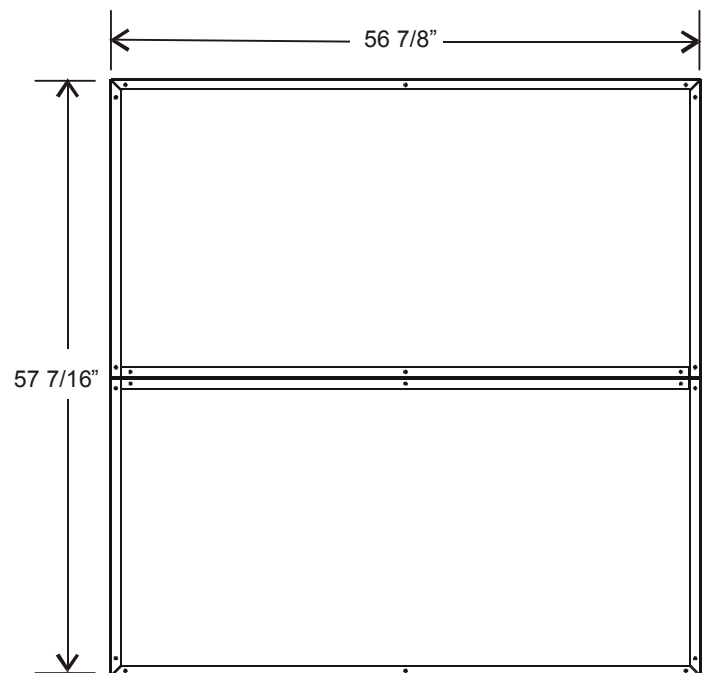
⚠ WARNING

Handle the MegaFlow Insulation Panel carefully to maintain full insulating quality.

⚠ WARNING

Disconnect all power to the fan before installing MegaFlow Insulation Panel.

Dimensions



⚠ WARNING

DO NOT turn the fan on while the insulation is mounted. Air will not be able to flow through and damage to the motor may occur.

INSTALLATION

STEP 1

Remove shutters and any other obstructions from the back of the 52" MegaFlow Slant Wall Fan so the MegaFlow Insulation Panel is able to cover the back-hole of the fan completely.

STEP 2

Assemble the clamp by placing the bent strip of metal (0404-10345) through the screw of the other piece (6409-8000). The bend should go away from the piece with the screw as shown in **Figure 1**. Loosen the clamp enough to fit in the U-shaped slits on the fan.

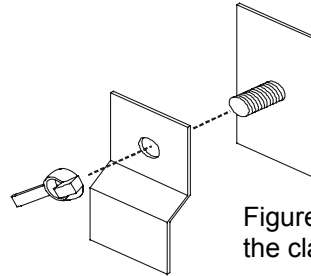


Figure 1 – Assembling the clamp.

STEP 3

Insert each clamp into the U-shaped hole, pinching the fan between the panel holder of the clamp. Loosely tighten each clamp with the wing nut (1001-5012) and align the metal strips with the direction of the fan. **See Figure 2**.

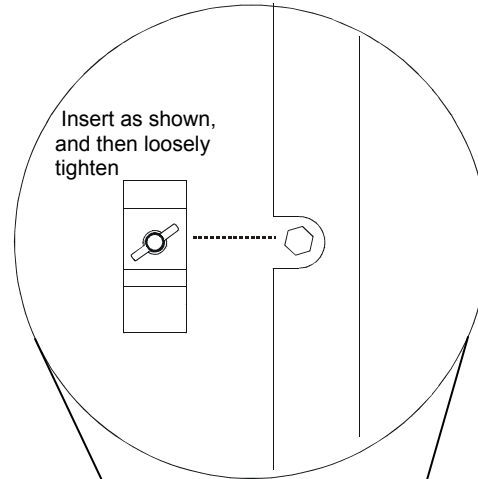


Figure 2 – Inserting the clamps

STEP 4

Place the MegaFlow Insulation Panel (6509-7200) on the back frame of the fan. Rotate the clamps so they hold the panel in place and then tighten each clamp with the wing nut to complete installation. **See Figures 3 and 4**.

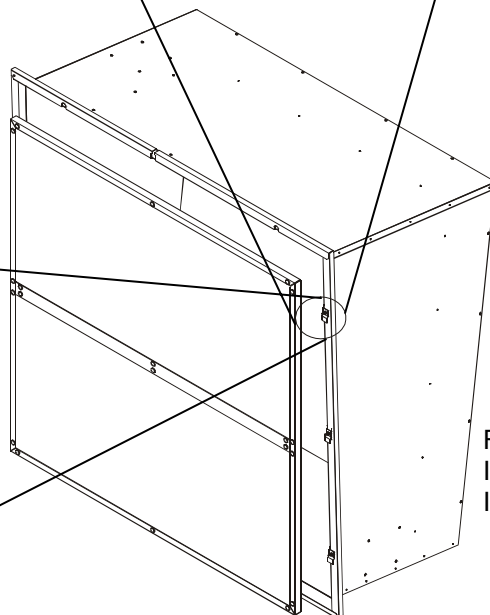
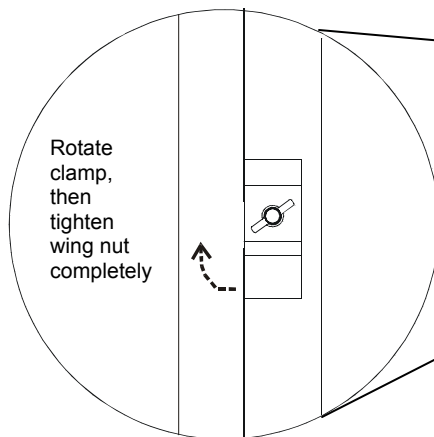


Figure 3 – Installing the Insulation Panel

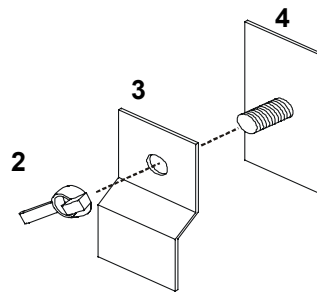
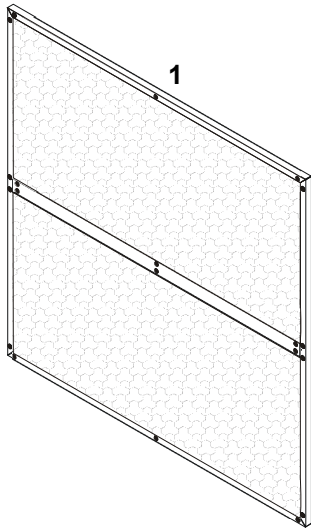
Figure 4 – Clamping down the fan



! WARNING

DO NOT turn the fan on while the insulation is mounted. Air will not be able to flow through and damage to the motor may occur.

Item	Part #	Description
1	6509-7200	Mega Flow Insulation Panel
2	1001-5012	1/4x20 SS Wing Nut
3	0404-10345	Fab GS Ins Holder Bracket MF SW
4	6409-8000	MF SW Ins Retainer Bracket Assy





MegaFlow Insulation Panel - Installation

HIRED-HAND®