



# MEGA-FLOW METAL CONE

## Installation

Packing List For One (1) Unit	
Four (4) Cone Sections	Four (4) Corner Brackets
One (1) Wire Guard	Eight (8) 5/16"-18 x 5/8 Carriage Bolts
Five (4) 1/4"-20 Lock Nuts	Ten (10) #14 x 1/2" SIM Screws
Four (4) 1/4"-20 x 3/4" Truss Head Bolts	One (1) Installation Manual

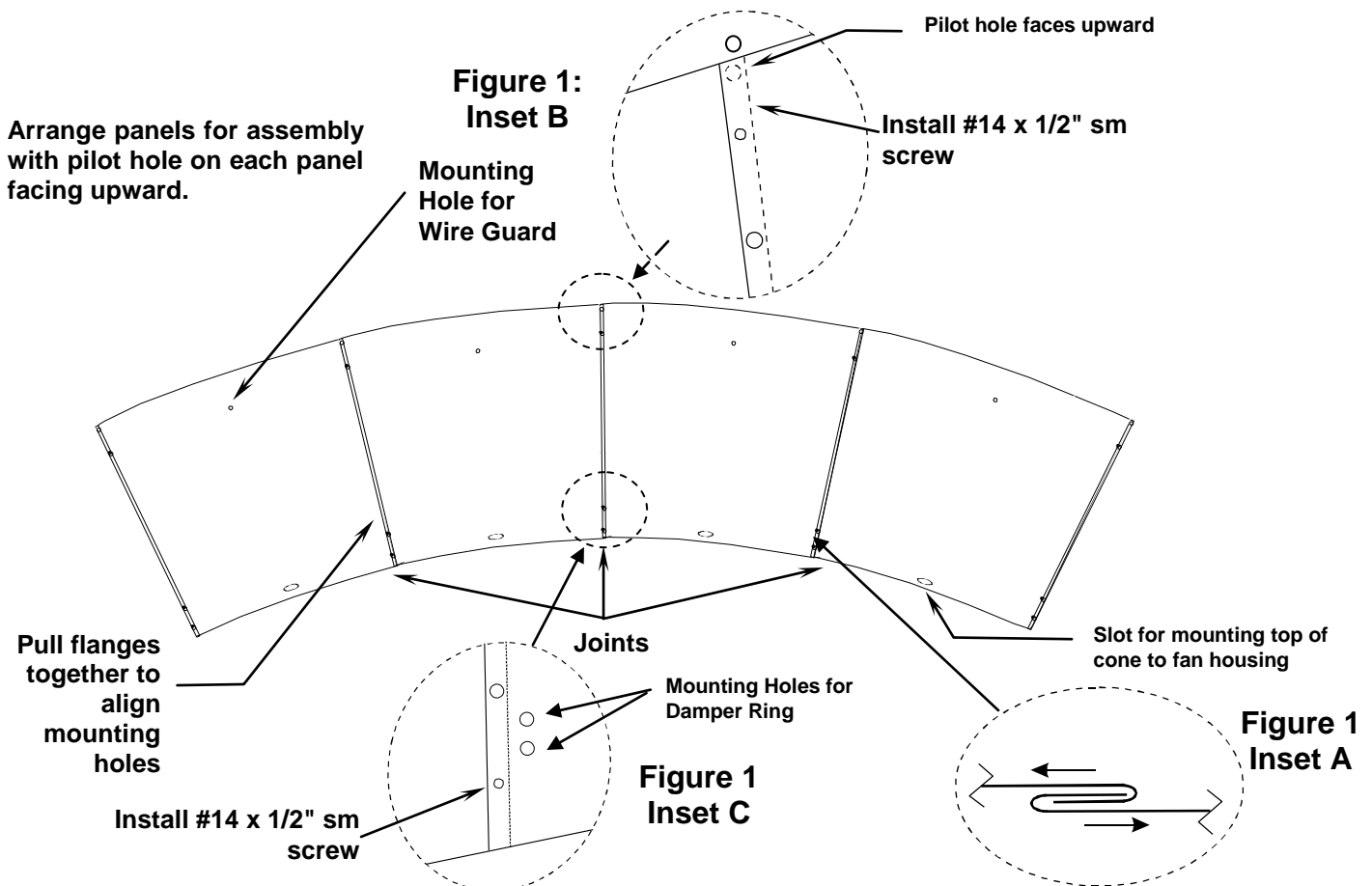
Tools Required	
7/16 in. (11 mm) Wrench	Ratchet
7/16 in. (11 mm) Socket	Marker or Scribe
Cordless drill and bit (For Installing TEK screws)	
Phillips Head Screwdriver	

### ⚠ WARNING!

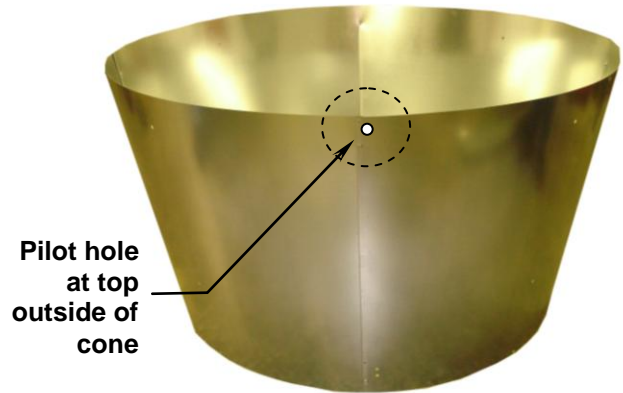
During Cone Installation Be Sure That Fan Motor Is Not Plugged Into Any Power Source.  
Always Double Check Power Sources.

### Assembly & Installation of Cone

1. Arrange panels contacting as shown in Figure 1. NOTE: The pilot hole pointing upward. Refer to Figure 1 Inset B.
2. For each panel, slide panels together. See Figure 1 Inset A.
3. Align holes of flanges. See Figure 1 Inset A. Install sheet metal screws as shown in Insets B and C.

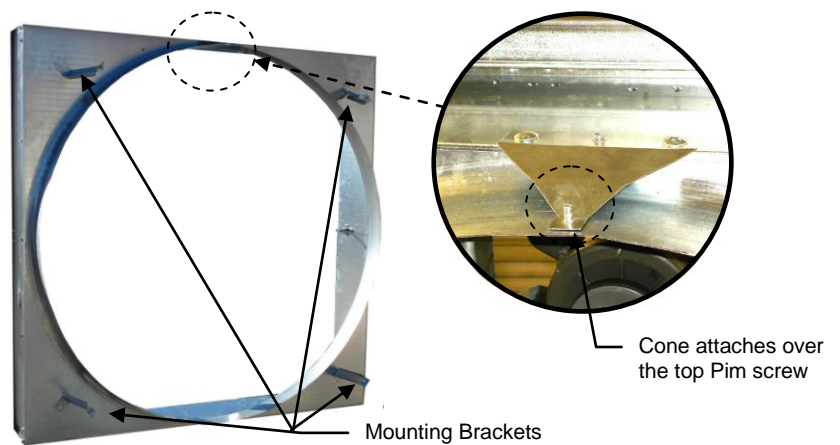


- To complete the last flange connection, roll the cone panels so the small end is on the floor. See Figure 2. **IMPORTANT!** The four pilot holes should be at the top end on the outside of the cone.



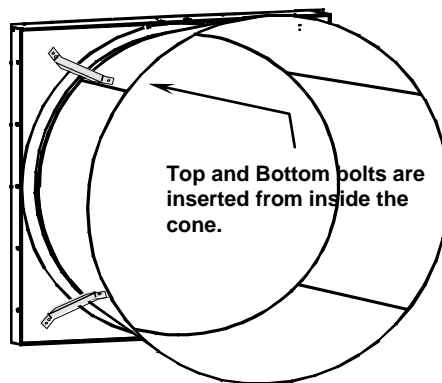
**Figure 2: Assembled Cone**

- Install the cone Mounting Brackets to the fan housing using two 5/16"-18x5/8" carriage bolts in each mounting bracket.
- Mount cone to fan. Bend the mounting brackets back slightly to help clear the area of the cone edges. Hang the centered slot in the small end of the cone over the Pim screw mounted on the Fan housing. See Figure 3. Screw can be fastened with 1/4"x20 lock nut, if necessary (not included).



**Figure 3: Install Cone Mounting Brackets**

- Align the cone over the remainder of the fan housing. Using four 1/4"-20x3/4" Truss Head Phillips bolts and 1/4"-20 lock nuts, insert the bolts from the inside of the cone. See Figure 4.



**Figure 4: Mount Cone onto Fan**