



MEGA-FLOW METAL CONE

Installation

Packing List For One (1) Unit	
Four (4) Cone Sections	Four (4) Corner Brackets
One (1) Wire Guard	Five (5) 3/8"-16 x 1 Cap Screws
Sixteen (16) 1/4"-20 Nuts	Ten (10) 3/8" Washers
Sixteen (16) 1/4"-20 x 3/4" Bolts	Five (5) 3/8"-16 Nuts
Sixteen (16) #14 x 1" TEK Screws	
One (1) Installation Manual	

Tools Required	
7/16 in. (11 mm) Wrench	Ratchet
7/16 in. (11 mm) Socket	Marker or Scribe
Cordless drill and bit (For Installing TEK screws)	

⚠ WARNING!

During Cone Installation Be Sure That Fan Motor Is Not Plugged Into Any Power Source.
Always Double Check Power Sources.

Assembly & Installation Of Cone

1. Refer to Figure 1. Lay cone pieces flat with their flanges pointed up.
2. For each panel, bend tabs upward in same direction as flange. **NOTE: Bend tabs by hand.** See Inset Figure 1.
3. Arrange panels with flanges and tabs contacting as shown in Figure 1. Align holes of flanges and tabs.

Instructions Continued On Next Page ⇨

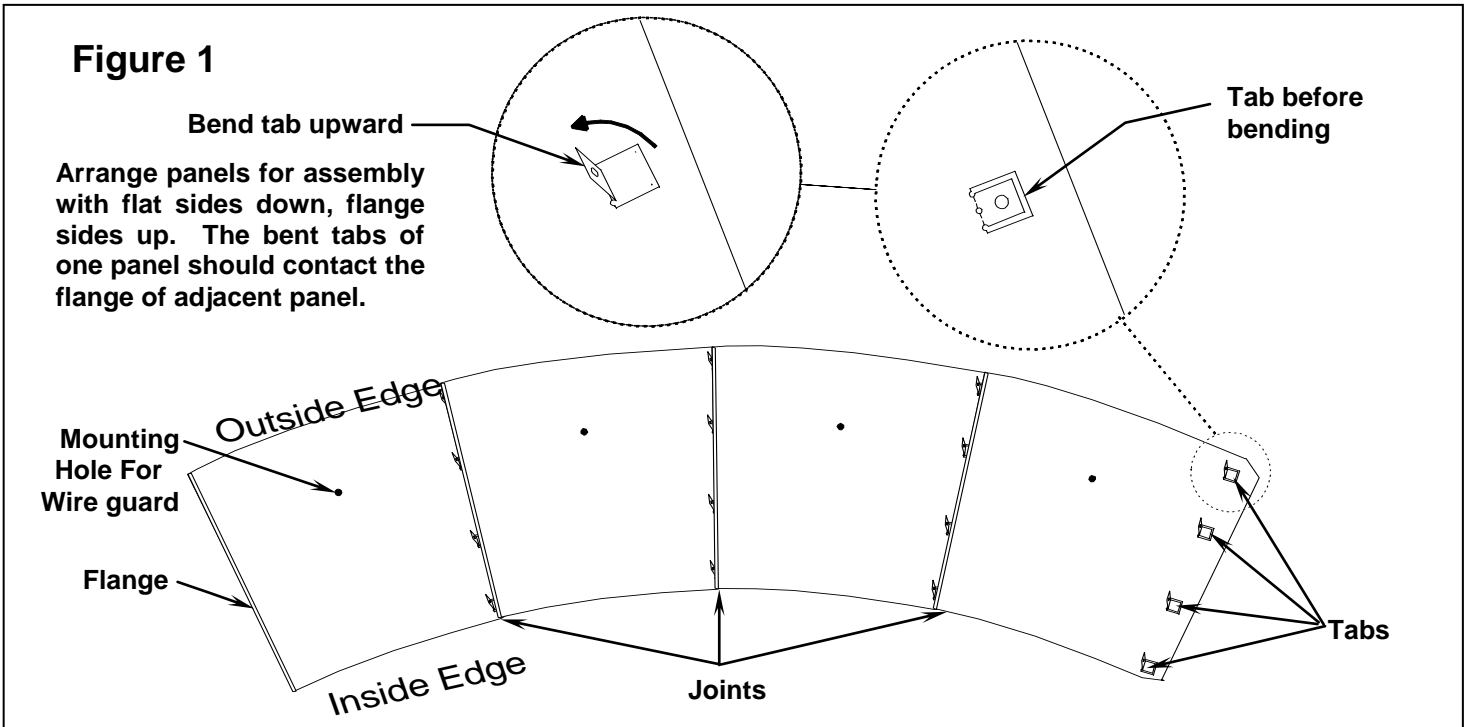
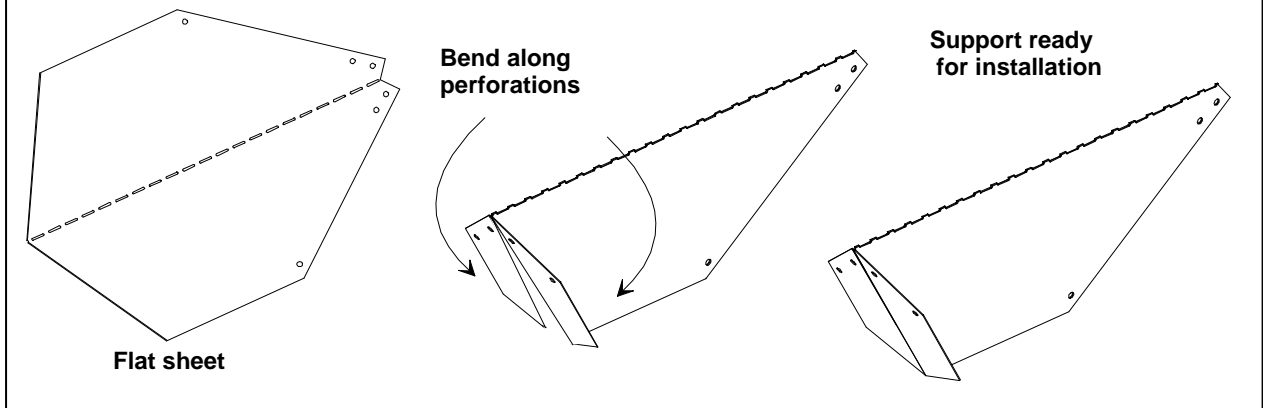


Figure 2: Form Support Brackets



4. Four corner support brackets are supplied as flat perforated metal sheets with flanges. Bend each sheet along perforations as shown in **Figure 2** to form support brackets.
5. **Figure 3** shows the three different corner support brackets after bending and the correct attachment holes for mounting to the specific cone size.
6. Install three corner brackets to joints of panel assembly as shown in **Figure 4**. The 36", 48" and 52" Corner Support Brackets attach to the two holes in the cone nearest the small cone opening with 1/4" bolts and nuts. To install bolt, insert bolt through hole of bracket, then through hole of flange, and into hole of tab as shown in **Figure 4**. **NOTE:** Start nuts onto bolts. Leave nuts and bolts loose until cone is installed in unit.

Figure 3: Support Bracket Mounting Holes

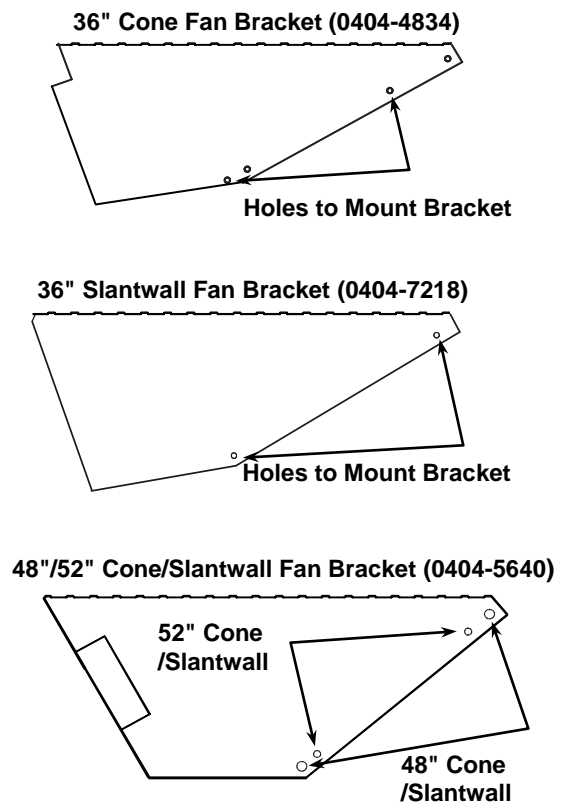
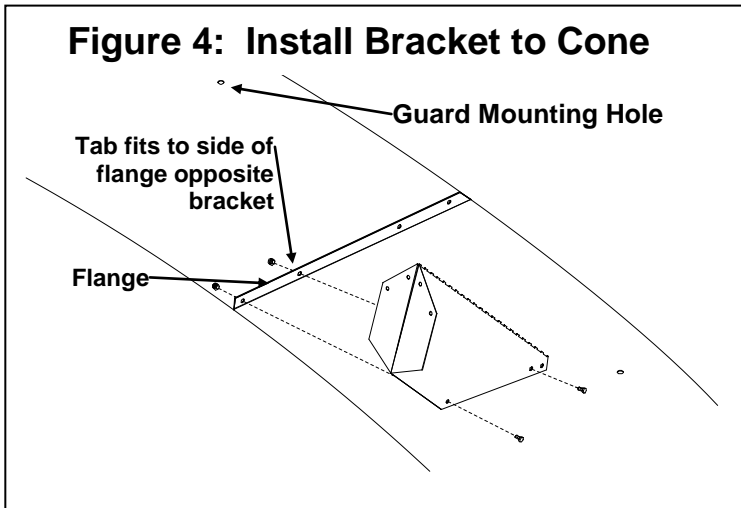


Figure 4: Install Bracket to Cone



7. Carefully lift the attached panels and wrap panels into cone shape as shown in **Figure 5**. Attach final corner bracket with 1/4" bolts & nuts to fasten cone together. The assembled cone with corner brackets should now appear as in **Figure 5**.
8. Disconnect all electrical power from fan.
9. Carefully lift & support cone assembly. Fit cone into position over outside of fan orifice on exhaust side of fan. At this point, tighten bolts & nuts as required to achieve a tight fit of cone around orifice.
10. Carefully lift the attached panels and wrap panels into cone shape as shown in **Figure 5**. Attach final corner bracket with 1/4" bolts and nuts to fasten cone together. The assembled cone with corner brackets should now appear as in **Figure 5**.
11. Disconnect all electrical power from fan.
12. Carefully lift and support cone assembly. Fit cone into position over outside of fan orifice on exhaust side of fan. At this point, tighten bolts and nuts as required to achieve a tight fit of cone around orifice.
13. While supporting cone assembly, attach a top corner bracket to fan housing. Position bracket, install 1" TEK screws into fan housing through holes in bracket. See **Figure 6**.
14. Repeat **Step 10** to attach corner bracket to opposite corner of fan housing. Cone assembly should now hang in place.
15. Attach two remaining corner brackets of cone to fan housing with 1" TEK screws.
16. Install wire guard (supplied) to cone. Align wire guard with four mounting holes in cone. Install cap screws, washers & nuts to guard.
17. Reconnect power to fan.
18. Cone installation complete.

