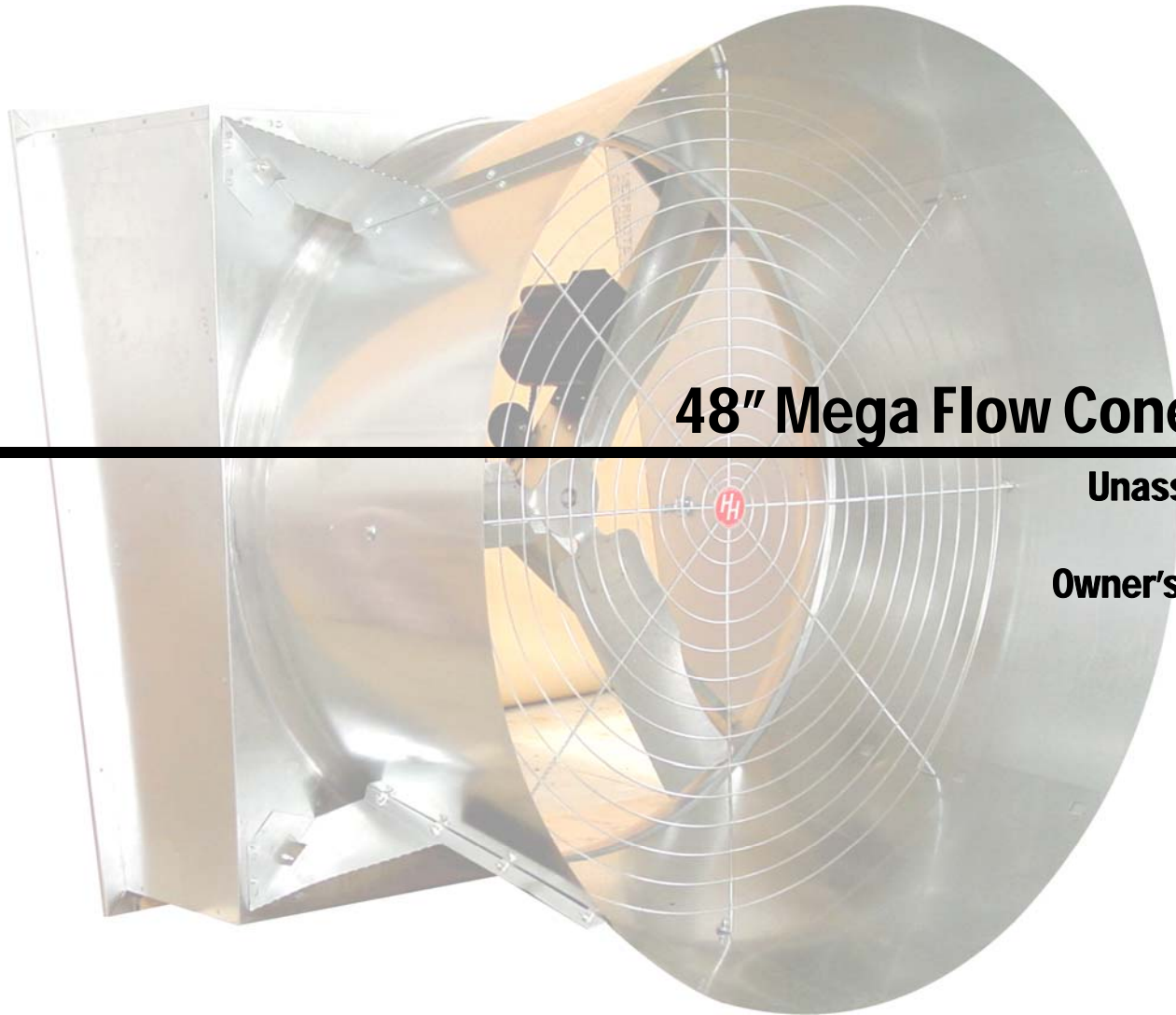




**HIRED-HAND®**



# 48" Mega Flow Cone Fan

**Unassembled**

**Owner's manual**

**Hired-Hand, Mfg., Inc.  
PO Box 110  
1759 County Road 68  
Bremen, Alabama 35033**



Limited Warranty

# 1. Warranty

The GSI Group, LLC. (“GSI”) warrants products which it manufactures to be free of defects in materials and workmanship under normal usage and conditions for a period of 12 months after sale to the original end-user or if a foreign sale, 14 months from arrival at port of discharge, whichever is earlier. The end-user’s sole remedy (and GSI’s only obligation) is to repair or replace, at GSI’s option and expense, products that in GSI’s judgment, contain a material defect in materials or workmanship. Expenses incurred by or on behalf of the end-user without prior written authorization from the GSI Warranty Group shall be the sole responsibility of the end-user.

**Warranty Extensions:** The Limited Warranty period is extended for the following products:

	Product	Warranty Period
AP Fans and Flooring	<b>Performer Series Direct Drive Fan Motor</b>	<b>3 Years</b>
	<b>All Fiberglass Housings</b>	<b>Lifetime</b>
	<b>All Fiberglass Propellers</b>	<b>Lifetime</b>
Cumberland Feeding/Watering Systems	<b>Feeder System Pan Assemblies</b>	<b>5 Years **</b>
	<b>Feed Tubes (1.75" &amp; 2.00")</b>	<b>10 Years *</b>
	<b>Centerless Augers</b>	<b>10 Years *</b>
	<b>Watering Nipples</b>	<b>10 Years *</b>
Grain Systems	<b>Grain Bin Structural Design</b>	<b>5 Years</b>
Grain Systems	<b>Portable &amp; Tower Dryers</b>	<b>2 Years</b>
Farm Fans Zimmerman	<b>Portable &amp; Tower Dryer Frames and Internal Infrastructure †</b>	<b>5 Years</b>

\* Warranty prorated from list price:  
 0 to 3 years – no cost to end-user  
 3 to 5 years – end-user pays 25%  
 5 to 7 years – end-user pays 50%  
 7 to 10 years – end user pays 75%

\*\* Warranty prorated from list price:  
 0 to 3 years – no cost to end-user  
 3 to 5 years – end-user pays 50%

† Motors, burner components and moving parts not included. Portable Dryer screens included. Tower Dryer screens not included.

GSI further warrants that the frame, basket and excluding all auger and auger drive components of the portable and tower dryer shall be free from defects in materials for a period of time beginning on the twelfth (12<sup>th</sup>) month from the date of purchase and continuing until the sixtieth (60<sup>th</sup>) month from the date of purchase (extended warranty period). During the extended warranty period, GSI will replace the frame or basket components that prove to be defective under normal conditions of use without charge, excluding the labor, transportation, and/or shipping costs incurred in the performance of this extended warranty.

## Conditions and Limitations:

THERE ARE NO WARRANTIES THAT EXTEND BEYOND THE LIMITED WARRANTY DESCRIPTION SET FORTH ABOVE. SPECIFICALLY, GSI MAKES NO FURTHER WARRANTY OF ANY KIND, EXPRESS OR IMPLIED, INCLUDING, WITHOUT LIMITATION, WARRANTIES OF MERCHANTABILITY OR FITNESS FOR A PARTICULAR PURPOSE OR USE IN CONNECTION WITH: (i) PRODUCT MANUFACTURED OR SOLD BY GSI OR (ii) ANY ADVICE, INSTRUCTION, RECOMMENDATION OR SUGGESTION PROVIDED BY AN AGENT, REPRESENTATIVE OR EMPLOYEE OF GSI REGARDING OR RELATED TO THE CONFIGURATION, INSTALLATION, LAYOUT, SUITABILITY FOR A PARTICULAR PURPOSE, OR DESIGN OF SUCH PRODUCTS.

GSI shall not be liable for any direct, indirect, incidental or consequential damages, including, without limitation, loss of anticipated profits or benefits. The sole and exclusive remedy is set forth in the Limited Warranty, which shall not exceed the amount paid for the product purchased. This warranty is not transferable and applies only to the original end-user. GSI shall have no obligation or responsibility for any representations or warranties made by or on behalf of any dealer, agent or distributor.

GSI assumes no responsibility for claims resulting from construction defects or unauthorized modifications to products which it manufactured. Modifications to products not specifically delineated in the manual accompanying the equipment at initial sale will void the Limited Warranty.

This Limited Warranty shall not extend to products or parts which have been damaged by negligent use, misuse, alteration, accident or which have been improperly/inadequately maintained. This Limited Warranty extends solely to products manufactured by GSI.

Prior to installation, the end-user has the responsibility to comply with federal, state and local codes which apply to the location and installation of products manufactured or sold by GSI.

## 2. Warnings

### **Warning!**

Disconnect All Power Sources Before Installing This Equipment. Failure To Disconnect Power Source Can Result In Property Damage, Serious Injury Or Death!

### **Warning!**

Dangerous Rotating Machinery!  
Keep Hands, Clothing, Etc. Clear When Operating!  
Do Not Operate Without All Guards And Covers In Place!

### **Warning!**

All Wiring Should Be In Accordance with National Electrical Codes Or Other Local Codes.

### **Warning!**

The Installer Is Responsible For Complying With All Relevant Regulations, Such As National Wiring Regulations And Accident Prevention Regulations. Particular Attention Must Be Given To The Cross-sectional Areas Of Conductors, The Selection Of Fuses Or Other Protection, And Protective Earth/Ground Connections!

### **Warning!**

The Voltages In The Power Cables And Certain Parts Of The Drive Can Result In Death. Whenever The Drive Has Been Used It Must Be Isolated And Disconnected For 5 Minutes Before Any Work Commences.

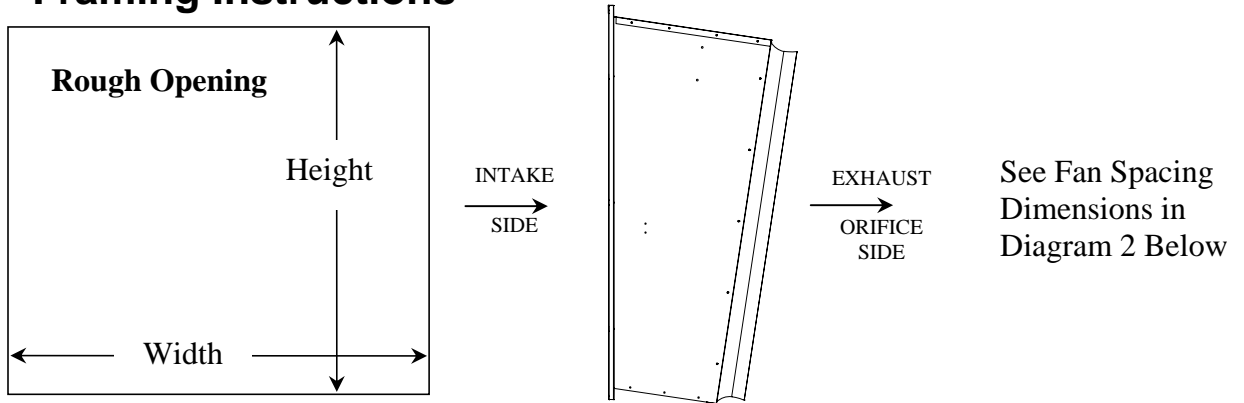
### **Danger!**

Only Qualified Electrical Personnel Familiar With The Construction And Operation Of This Equipment And The Hazards Involved Should Install, Adjust, And/Or Service This Equipment. Read And Understand This Manual In Its Entirety Before Proceeding. Failure To Observe This Precaution Could Result In Severe Bodily Injury Or Death!

### 3. Table of Contents

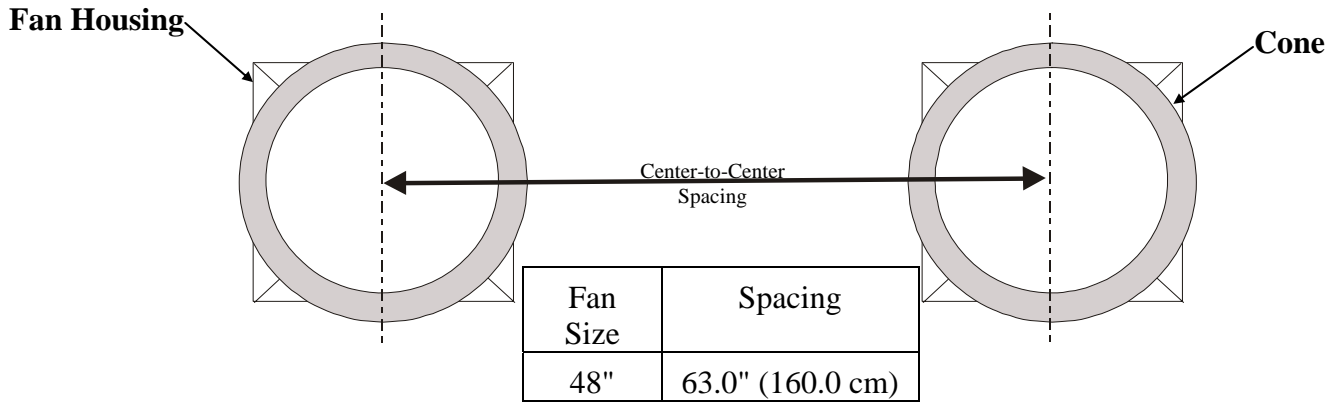
Section	Page
1. Warranty .....	2
2. Warnings .....	3
3. Table of Contents .....	4
4. Framing Instructions .....	4
5. Fan Assembly Instructions .....	5
6. Fan Mounting Instructions .....	9
7. Shutter Installation .....	10

### 4. Framing Instructions



Fan Size	Fan Model	Width	Height
48"	Mega Flow Slantwall	54.75" (139 cm)	55.75" (141.6 cm)

**Diagram 1 – Framing Diagram**



**Diagram 2 – Fan Spacing with Cone**

## 5. Fan Assembly Instructions

### ⚠ Warning!

**Do Not Connect Electrical Power Until Assembly Is Complete**

**Always Double Check Power Sources!**

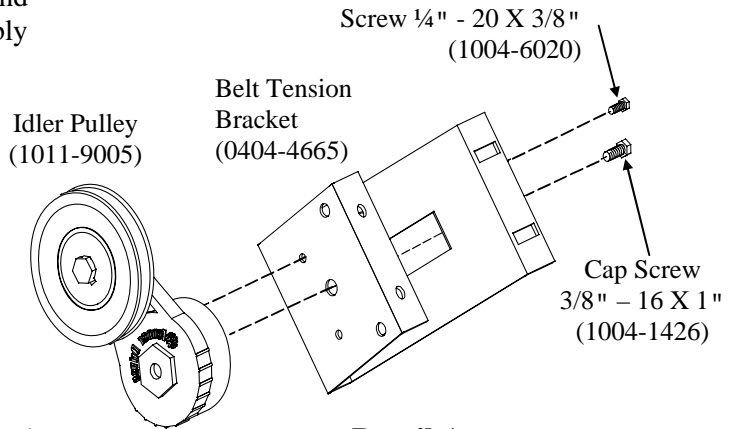
1. Refer to Detail A and assemble the Sheave Idler Pulley (1011-9005) to the Belt Tension Bracket (0404-4665) with Cap Screw (1004-1426) and Screw (1004-6020) as shown. Set the assembly aside until Step 4.

2. Refer to Detail B. Place Top Brace on top of the Bottom Brace and align holes.

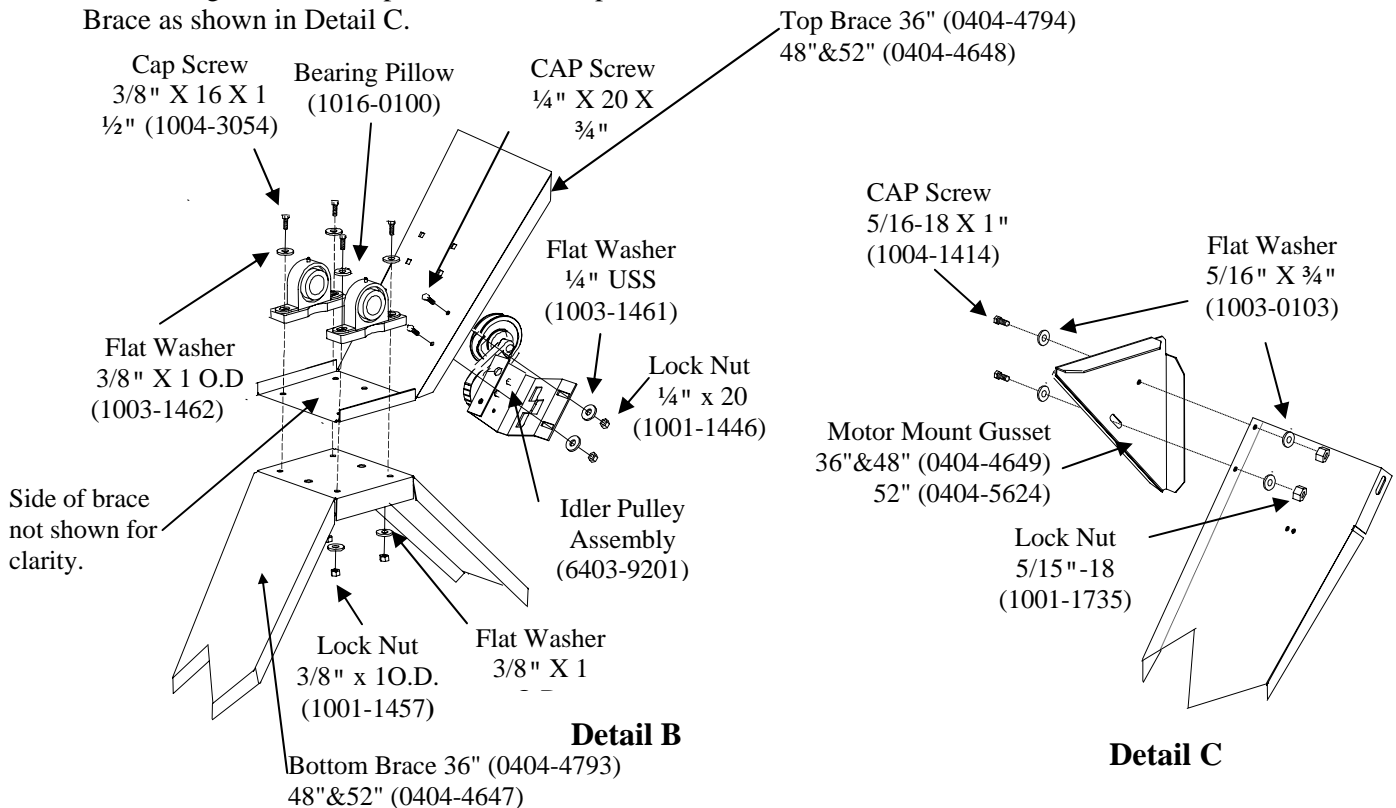
3. Place the two Bearing Pillows (1016-0100) on the Top Brace and bolt with 3/8" cap screw (1004-3054), flat washers (1003-1462) and lock nuts (1001-1457). Tighten securely.

4. Install the idler pulley assembly prepared in Step 1.

5. Install the gusset to the top corner of the Top Brace as shown in Detail C.

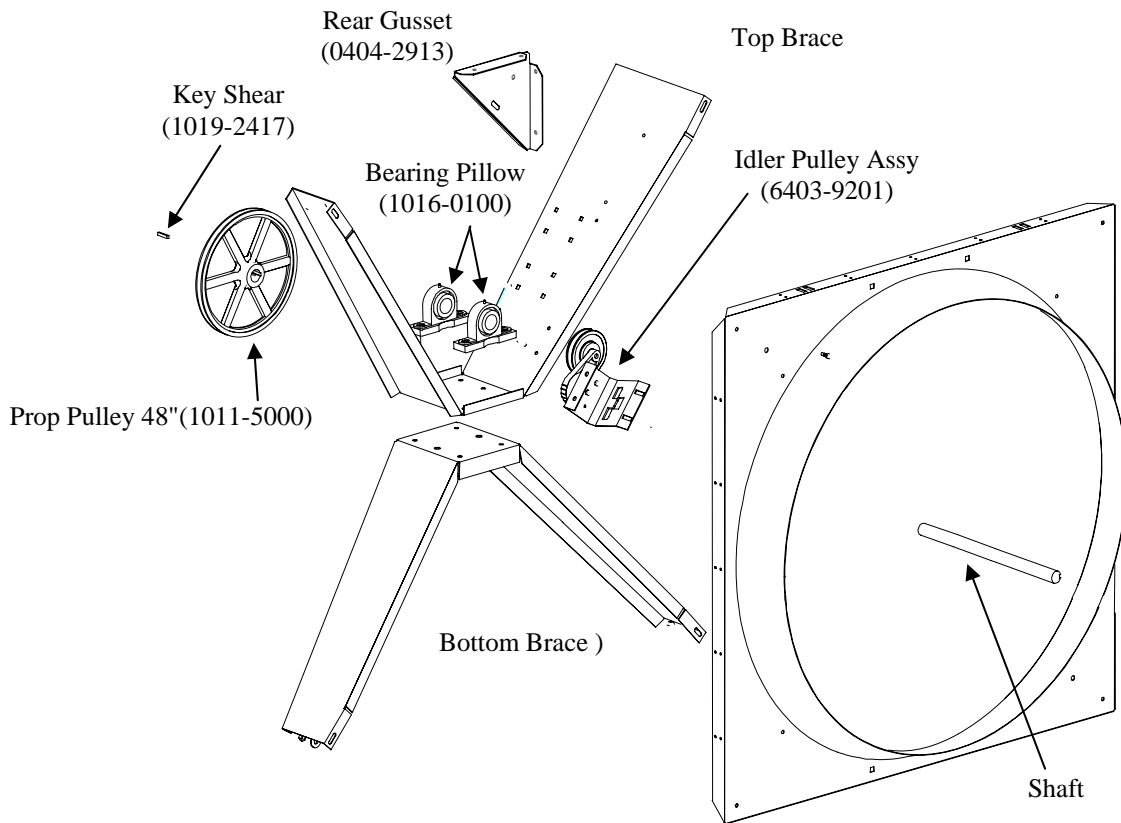


**Detail A**



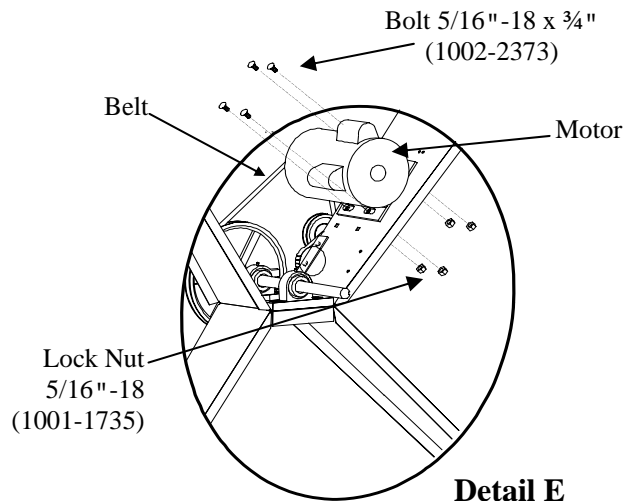
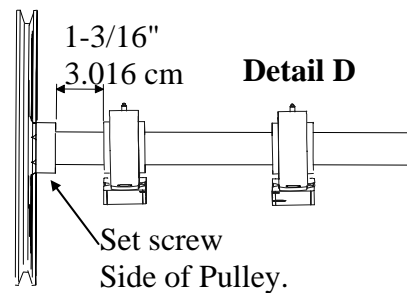
**Detail B**

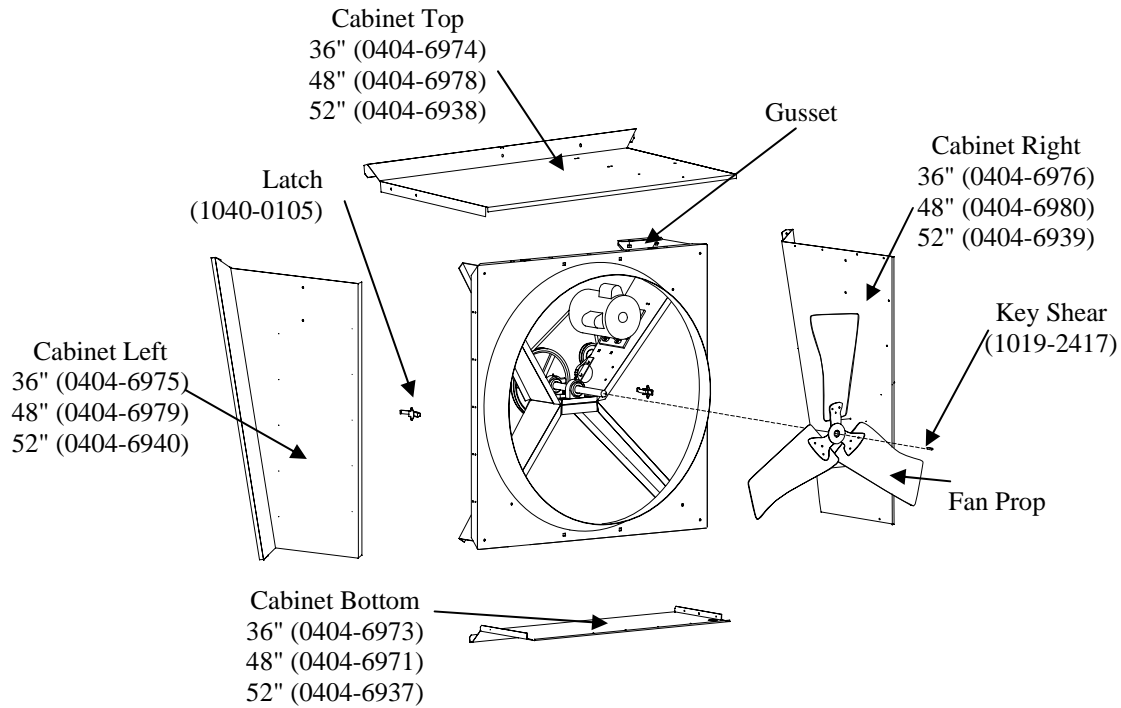
**Detail C**



**Figure 1 – Assemble Brace, Gusset, Bearings and Orifice**

6. Refer to Figure 1 above. Insert the Key Shear (1019-2417) into the Shaft (0411-4535). Slide Prop Pulley onto shaft until Pulley is flush with the end of the shaft. **MAKE SURE SET SCREW SIDE OF PULLEY IS TOWARD SHAFT.** Tighten set screws of Pulley. Recommended torque is 100 in. lbs. min.
7. Insert shaft assembly into the bearing pillows as shown in Detail D. Slide shaft assembly into bearings to a distance of 1-3/16" (3.016 cm) between the edge of the bearing pillow and the hub of pulley as shown in Detail D. Tighten the lock screws on the bearing pillows. Recommended torque of the lock screws is 65 in. lbs. min, and 83 in. lbs. max.
8. Refer to Figure 1 above. Fasten flared orifice to the top and bottom brace assembly with four 5/16" CAP screws (1004-1414), flat washers (1003-0103), and lock nuts (1001-1735).
9. Refer to Detail E. Install the motor using 5/16" bolts (1002-2373) and lock nuts (1001-1735).



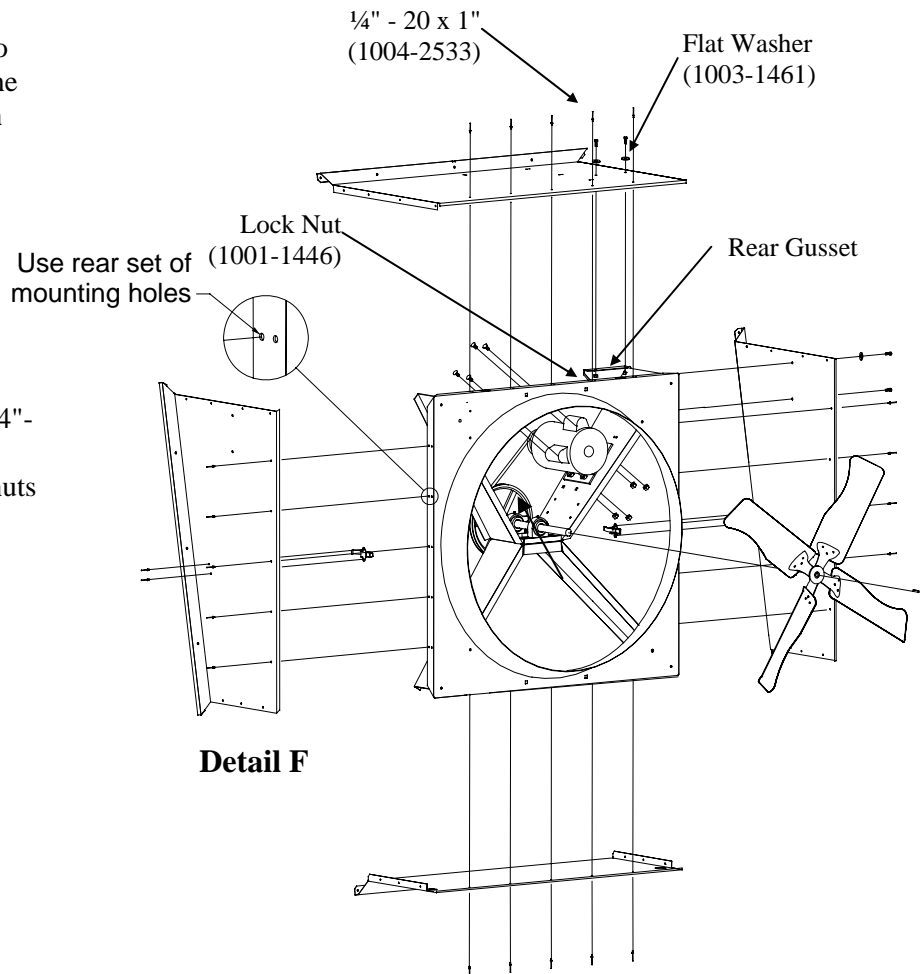


**Figure 2 - Assemble Cabinet, Fan and Motor**

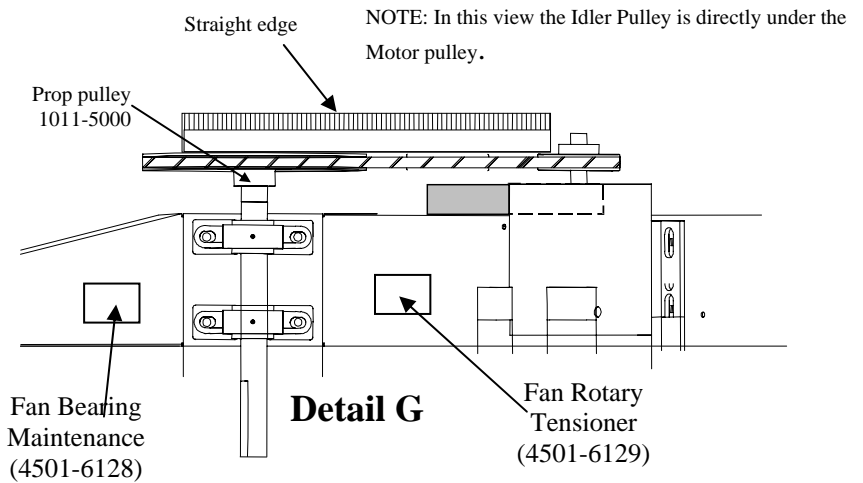
10. Refer to Figure 2. Install the two tension latches (1040-0105) to the right and left cabinet panels with 3/16" fan rivets (1005-5006).

11. Refer to Detail F. Install the right, left, bottom and top cabinet panels to the fan orifice using fan rivets (1005-3049).

12. Refer to Detail F. Install four 1/4"-20 x 1" screws (1004-2533), flat washers (1003-1461), and lock nuts (1001-1446) to the rear gusset through the top and side of the cabinet.



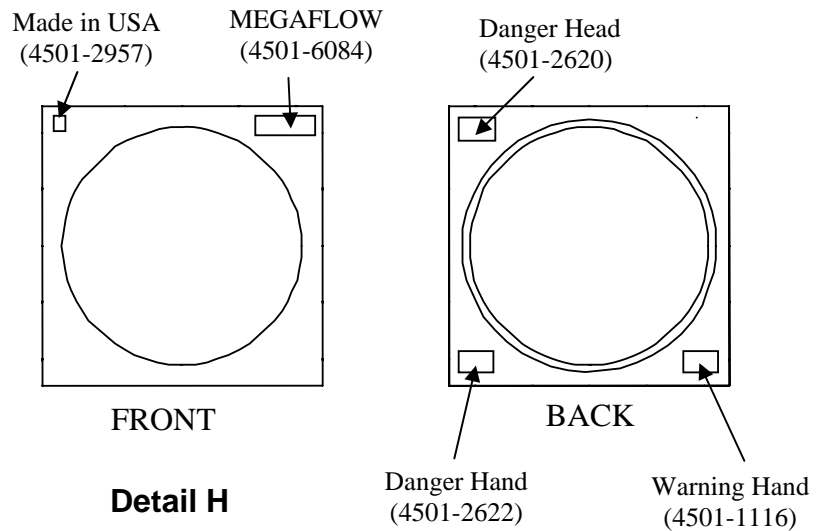
13. Refer to Figure 2. Install the key shear (1019-2417) onto the prop shaft. Slide the prop onto the shaft until the end of the shaft is flush with the prop hub. Use a 12 point socket to tighten the prop set screw. Recommended torque of set screw is 100 in. lbs. min.



14. Carefully lay cabinet flat with prop side down. Slowly rotate blade. Observe that blade is equal distance from orifice throat at all points of rotation. Shift X-brace as required to center prop.

15. After prop alignment, **FIRMLY TIGHTEN ALL BOLTS HOLDING X-BRACE TO CABINET.**

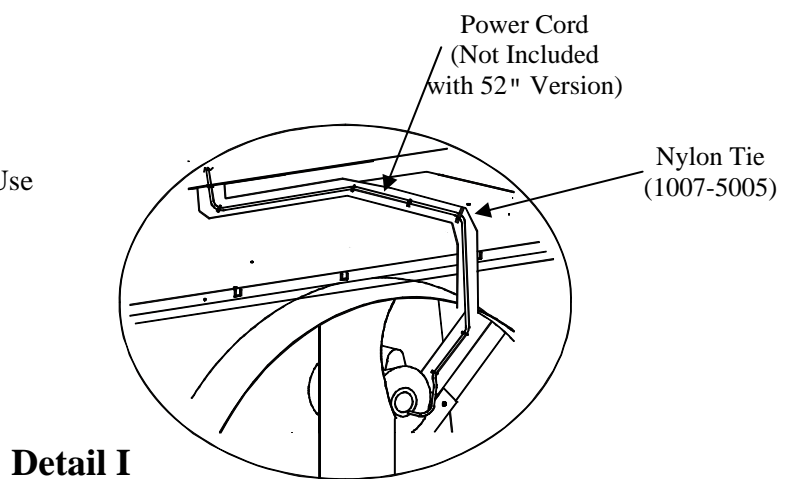
16. Refer to Detail G. Use a straight edge to align pulleys as shown. Securely tighten set screw of motor pulley and prop pulley. Recommended torque is 110 in. lbs. min. Install belt (1022-3102) onto motor pulley, tension pulley, and prop pulley. See belt installation sheet.



17. Refer to Details G and H. Carefully raise fan to upright position. Affix labels to cabinet and brace as shown.

18. Refer to Detail I. Route the power cord. Use nylon ties to secure cord along route as shown.

19. Fan assembly complete. When attaching cone, see Manual 4801-5128.





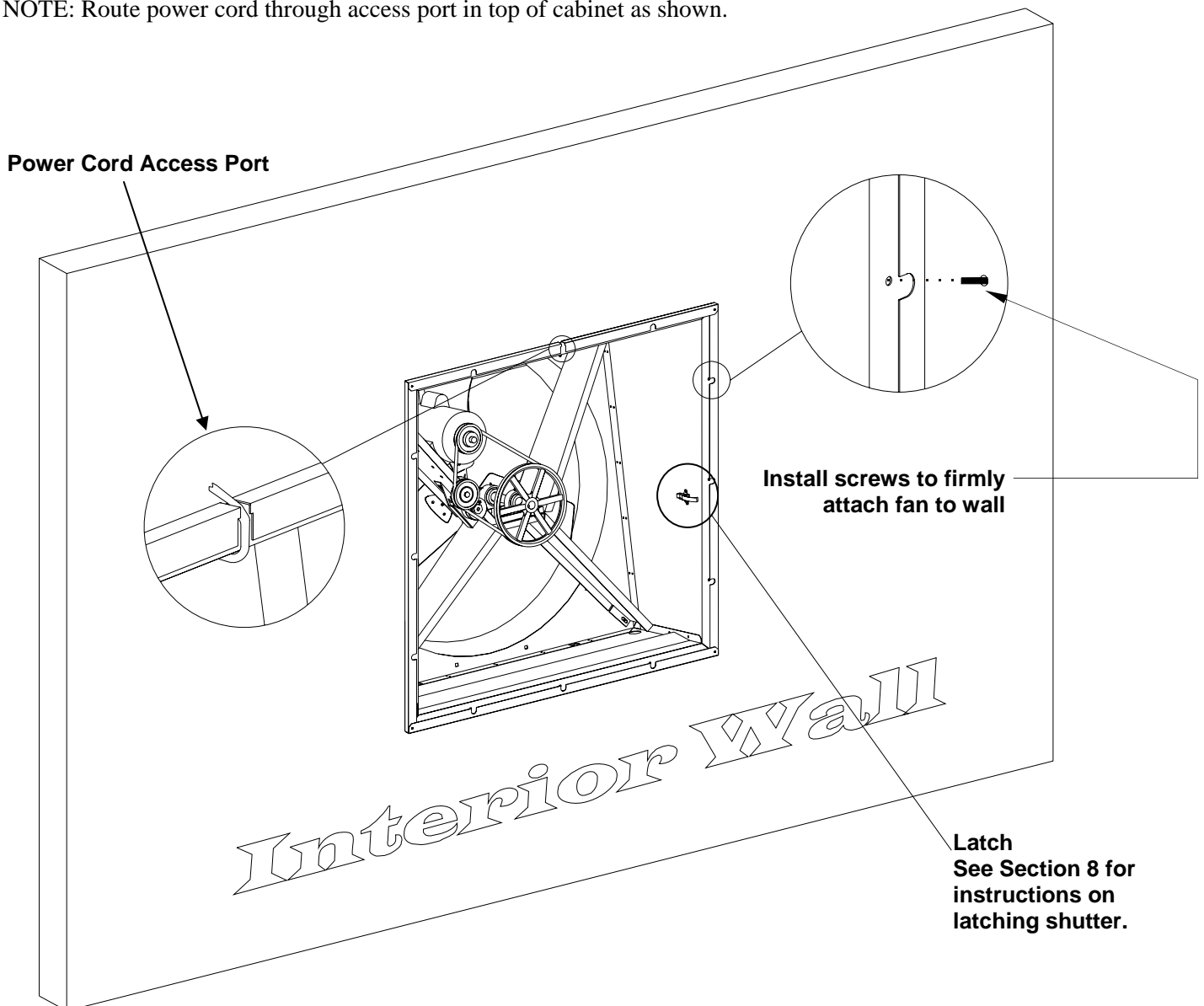
## 6. Fan Mounting Instructions

### CAUTION!

**Fan Is Heavy!**  
**Do Not Attempt To Lift Fan Without Sufficient Workers And Equipment.**

1. Carefully lift fan into position.
2. Securely attach fan to wall with screws (not provided).

NOTE: Route power cord through access port in top of cabinet as shown.



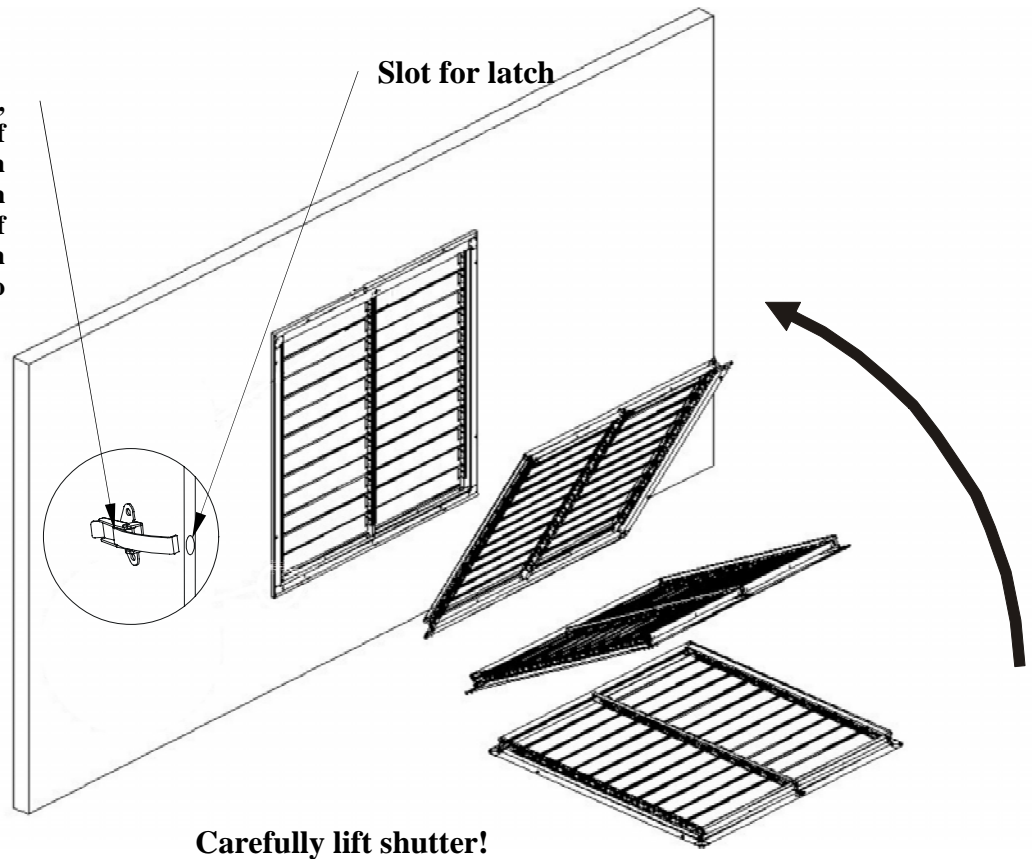
## 7. Shutter Installation

NOTE: Shutter Fits Onto Intake Side of Fan

1. Lift shutter.
2. Check that shutter is flush against housing at all points.
3. Manually open vanes of shutter to gain access to latches on fan housing. Lock shutter latches.
4. Installation complete.

With shutter in place, manually open vanes of shutter to access latch. Fasten latch (located inside fan housing) into slot in flange of shutter. Firmly lock down latch. Repeat procedure to latch opposite side of shutter.

Note: Latch is hidden in this view. See diagram on Page 9.





*Mega Flow Cone Fan*

**HIRED-HAND®**

**Unassembled**