



# MEGA-FLOW<sup>®</sup>

## UNASSEMBLED BELT DRIVE METAL FAN

48" & 52"  
Slant Wall

**HIRED-HAND<sup>®</sup>**

Please Read And Understand All Steps Of Instructions Before Assembly

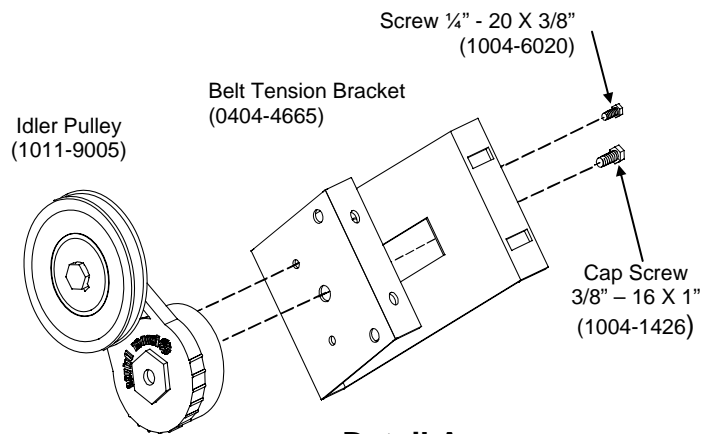
### TOOLS REQUIRED

Ratchet	Torque wrench
6" (152 mm) Ratchet extension	5/32" (4 mm) Allen head socket
9/16" (14 mm) socket	1/8" (3 mm) Allen head socket
7/16" (11 mm) socket	Rubber mallet
1/2" (13 mm) socket	Flat head screwdriver
Electric or cordless drill	Pop rivet gun
3/8" (10 mm) Socket head bit	9/16" (14 mm) open end box end wrench
3/8" (10 mm) Socket -12pt. star	7/16" (11 mm) open end box end wrench
2' (61 cm) scale or carpenter's square	Needle nose pliers

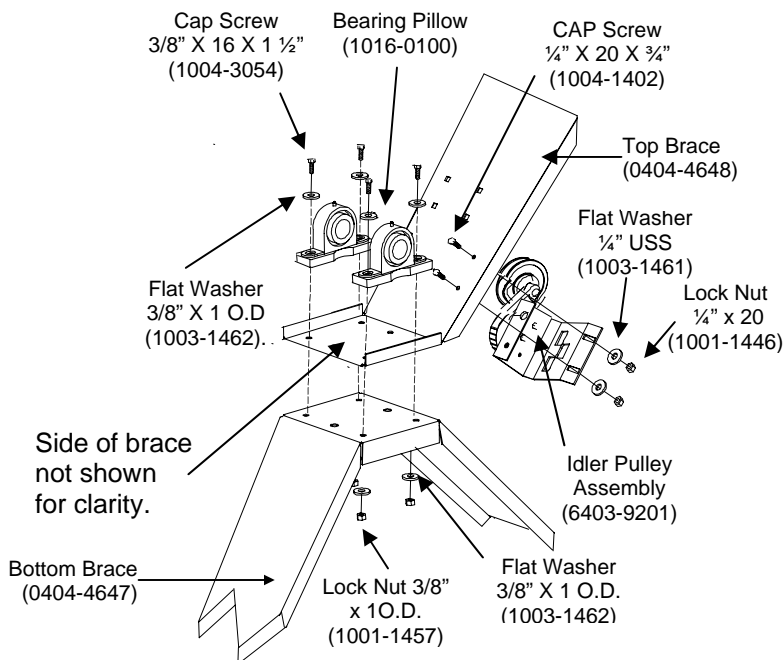
### WARNING!

**Do Not Connect Electrical Power  
Until Assembly Is Complete  
Always Double Check Power Sources!**

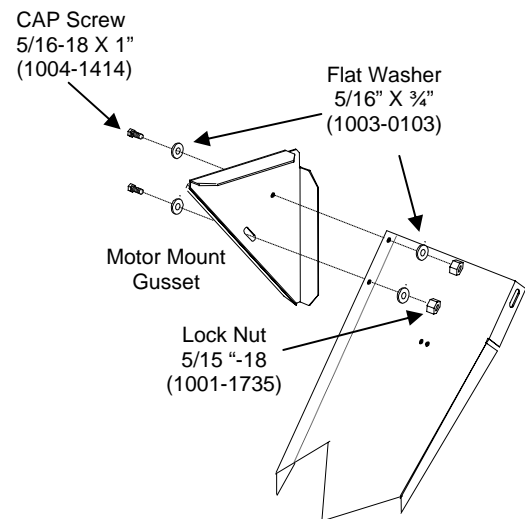
1. Refer to Detail A and assemble the Sheave Idler Pulley (1011-9005) to the Belt Tension Bracket (0404-4665) with Cap Screw (1004-1426) and Screw (1004-6020) as shown. Set the assembly aside until Step 4.
2. Refer to Detail B. Place Top Brace (0404-4648) on top of the Bottom Brace (0404-4647) and align holes.
3. Place the two Bearing Pillows (1016-0100) on the Top Brace and bolt with 3/8" cap screw (1004-3054), flat washers (1003-1462) and lock nuts (1001-1457). Tighten securely.
4. Install the idler pulley assembly prepared in Step 1.
5. Install the gusset to the top corner of the Top Brace as shown in Detail C.



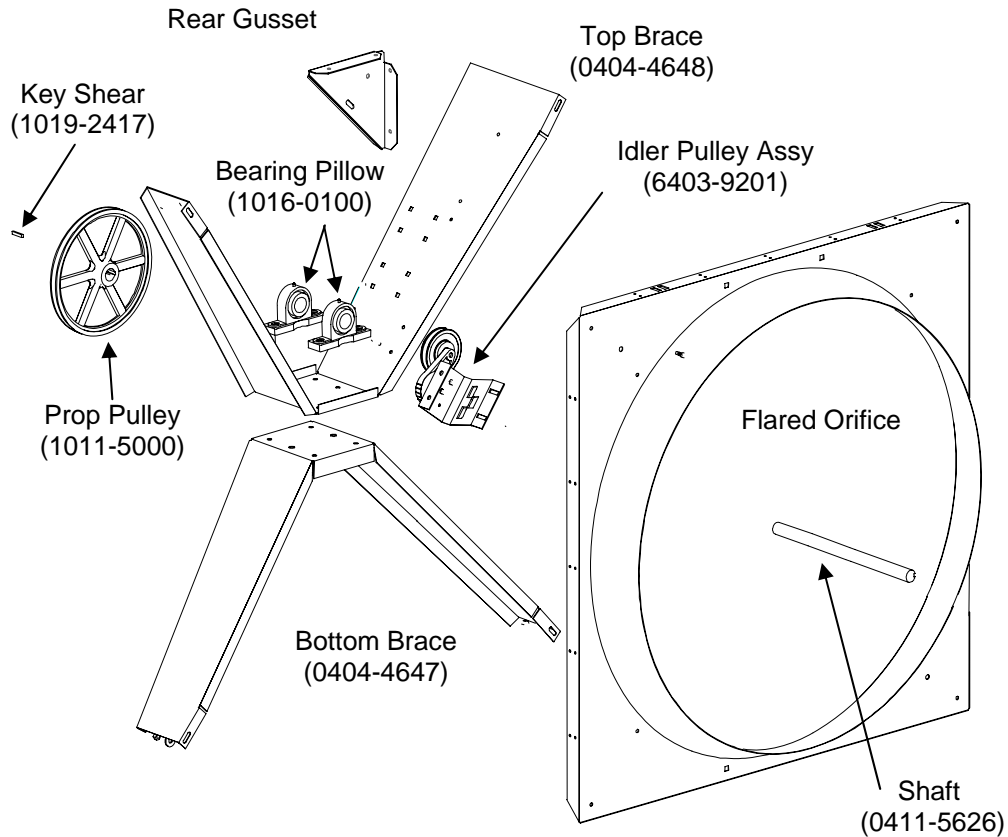
**Detail A**



**Detail B**



**Detail C**



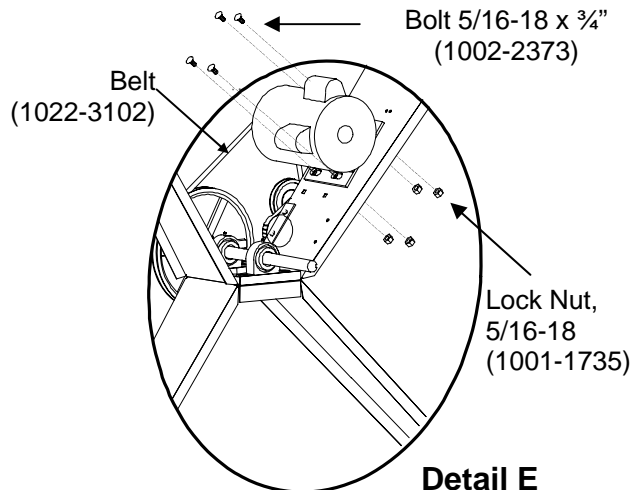
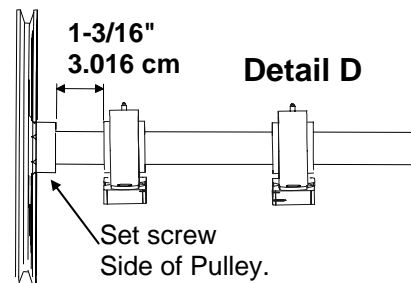
**Figure 1 – Assemble Brace, Gusset, Bearings and Orifice**

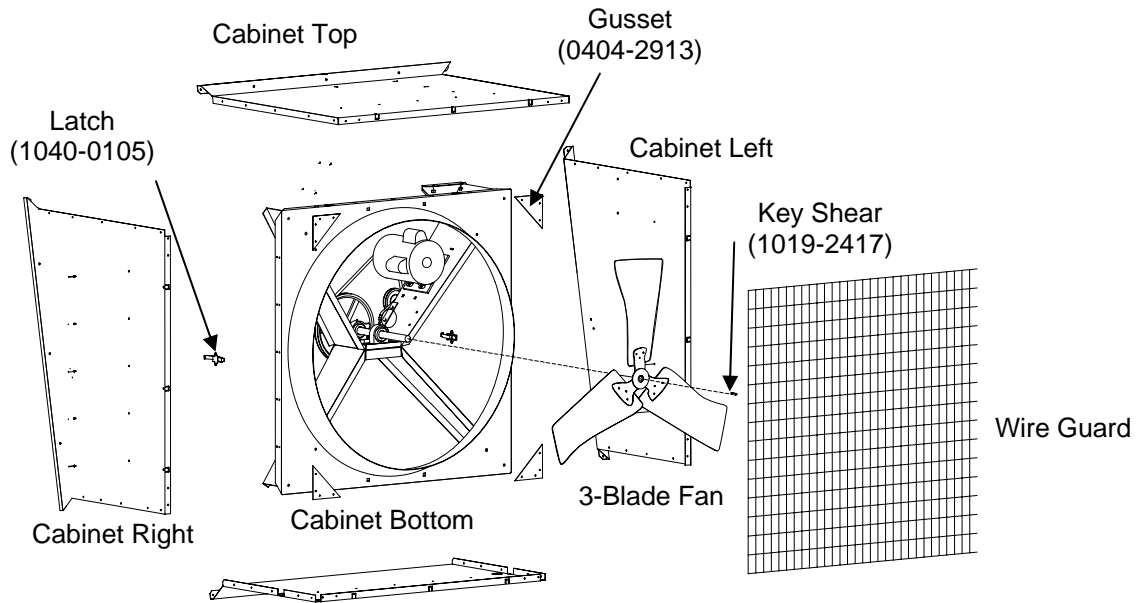
6. Refer to Figure 1 above. Insert the Key Shear (1019-2417) into the Shaft (0411-5626). Slide Prop Pulley (1011-5000) onto shaft until Pulley is flush with the end of the shaft.  
**MAKE SURE SET SCREW SIDE OF PULLEY IS TOWARD SHAFT.** Tighten set screws of Pulley. Recommended torque is 100 in. lbs. min.

7. Insert shaft assembly into the bearing pillows as shown in Detail D. Slide shaft assembly into bearings to a distance of 1-3/16" (3.016 cm) between the edge of the bearing pillow and the hub of pulley as shown in Detail D. Tighten the lock screws on the bearing pillows. Recommended torque of the lock screws is 65 in. lbs. min, and 83 in. lbs. max.

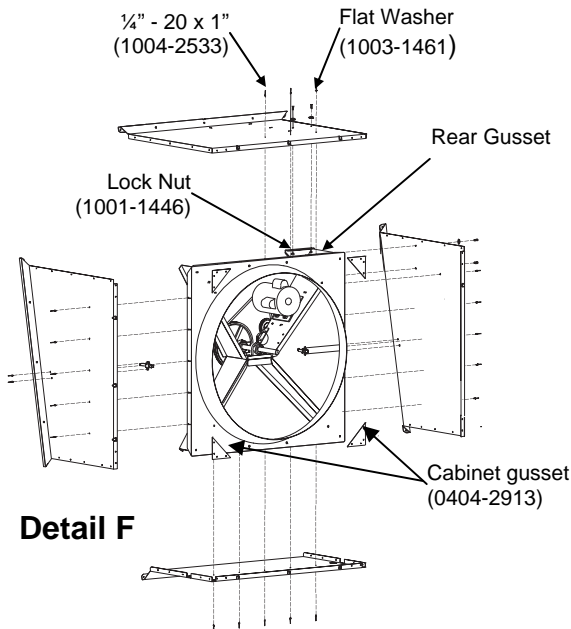
8. Refer to Figure 1 above. Fasten flared orifice to the top and bottom brace assembly with four 5/16" CAP screws (1004-1414), flat washers (1003-0103), and lock nuts (1001-1735).

9. Refer to Detail E. Install the motor using 5/16" bolts (1002-2373) and lock nuts (1001-1735).

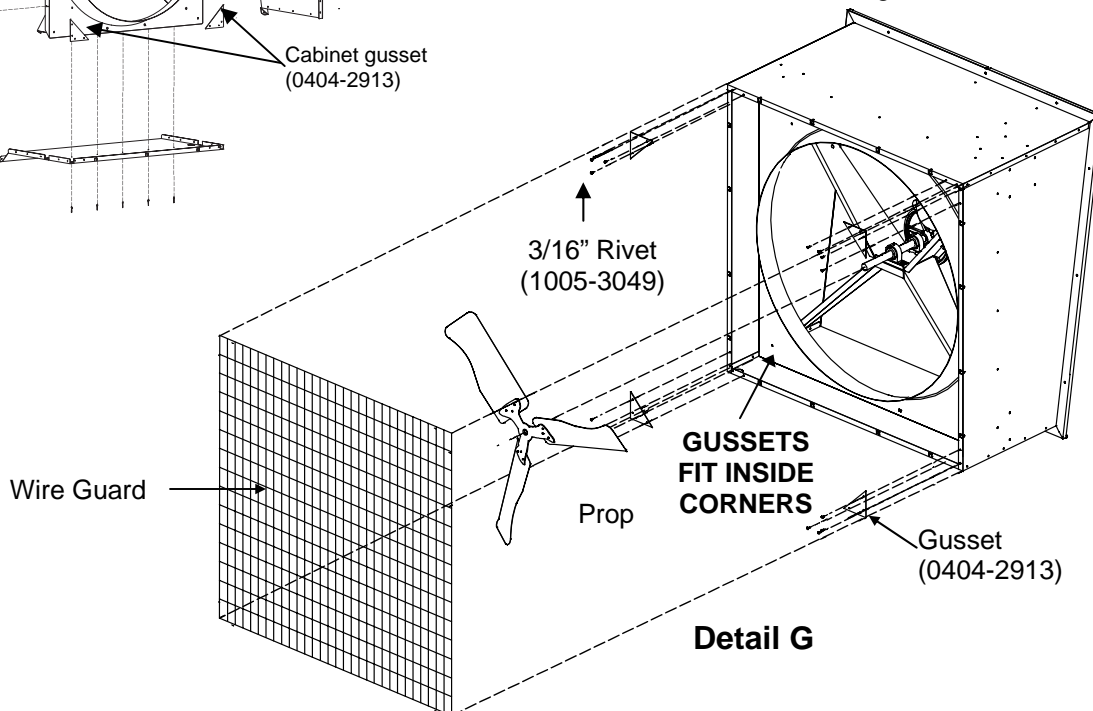




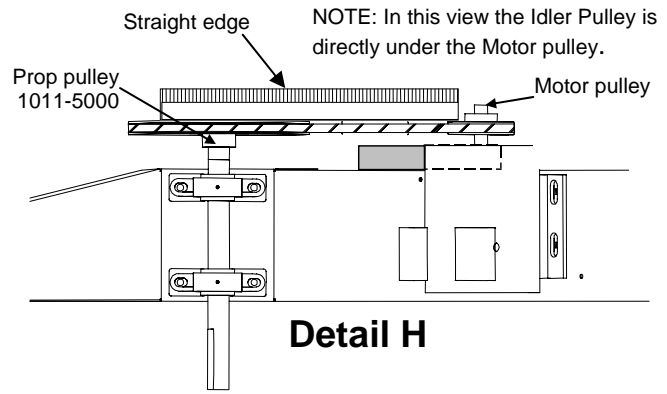
**Figure 2 - Assemble Cabinet, Fan, Motor and Wire Guard**



10. Refer to Figure 2. Install the two tension latches (1040-0105) to the right and left cabinet panels with 3/16" fan rivets (1005-5006).
11. Refer to Detail F. Install the right, left, bottom and top cabinet panels to the fan orifice using fan rivets (1005-3049).
12. Refer to Detail F. Install four 1/4"-20 x 1" screws (1004-2533), flat washers (1003-1461), and lock nuts (1001-1446) to the rear gusset through the top and side of the cabinet.
13. Refer to Detail G. Install the four Cabinet gussets (0404-2913) using fan rivets (1005-3049). NOTE: Gussets fit into inside of cabinet flanges.



14. Refer to Figure 2. Install the key shear (1019-2417) onto the prop shaft. Slide the prop onto the shaft until the end of the shaft is flush with the prop hub. Use a 12 point socket to tighten the prop set screw. Recommended torque of set screw is 100 in. lbs. min.

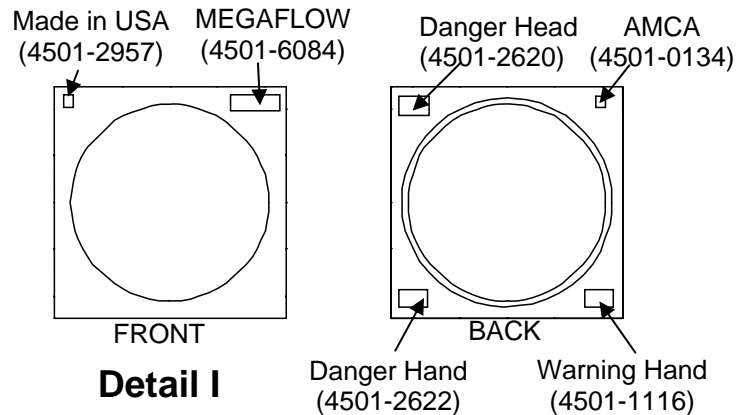


15. Refer to Detail G. Install wire guard to prop side of fan. Insert guard to bottom flange. Fasten wire guard by hooking guard on tabs located on cabinet. Bend tabs to fasten wire guard to cabinet.

16. Carefully lay cabinet flat with prop side down. Slowly rotate blade. Observe that blade is equal distance from orifice throat at all points of rotation. Shift X-brace as required to center prop.

17. After prop alignment, **FIRMLY TIGHTEN ALL BOLTS HOLDING X-BRACE TO CABINET.**

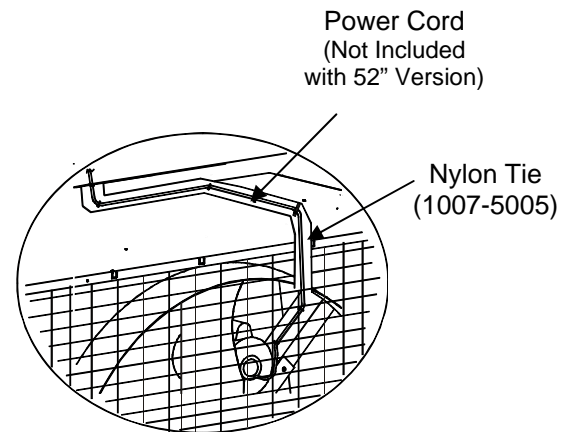
18. Refer to Detail H. Use a straight edge to align pulleys as shown. Securely tighten set screw of motor pulley and prop pulley. Recommended torque is 110 in. lbs. min. Install belt (1022-3102) onto motor pulley, tension pulley, and prop pulley. See belt installation sheet.



19. Refer to Detail I. Carefully raise fan to upright position. Affix labels to cabinet as shown.

20. Refer to Detail J. Route power cord. Use nylon ties to secure cord along route as shown.

21. Installation complete.



**Detail J**