



# Light Trap Vent Box Installation

## ⚠ WARNING

Disconnect all Electrical Power before installing the Vent Box.

### TOOLS REQUIRED

Power Drill	Level
3/8" Driver	Tape Measure

### IMPORTANT!

Locate packing slip and make sure that all listed parts are enclosed. If not, call your Cumberland distributor immediately. Please read and understand all instructions in this manual before installing Vent Box.

### PART NUMBERS

Light Trap Vent Box 12"X44"(6609-8000)		
Part Number	Quan.	Description
6609-1100	1	Vent Door LT 12"X44"
6624-2501	1	LT-VB-HE 12"X44"
6450-5710	1	Hardware Kit

Light Trap Vent Box 12"X54" (6609-8001)		
Part Number	Quan.	Description
6609-1101	1	Vent Door LT 12"X54"
6624-2502	1	LT-VB-HE 12"X54"
6450-5710	1	Hardware Kit

### DIMENSIONS

Light Trap Vent Box Dimensions					Vent Box Rough Wall Opening	
Vent Box Size	Part Number	W	H	D	Width	Height
12" X 44"	6609-1100	44-5/8"	12-1/2"	12"	45-1/8"	13"
12" X 54"	6609-1101	54-5/8"	12-1/2"	12"	55-1/8"	13"

### INSTRUCTIONS

1. Turn off or disconnect all powered cabling to the Vent Box.
2. Unpack the Light Trap extrusion assembly and place into the Vent Box. See Figure 1.
3. Cut an opening in the wall based upon the Rough Opening dimensions shown above.

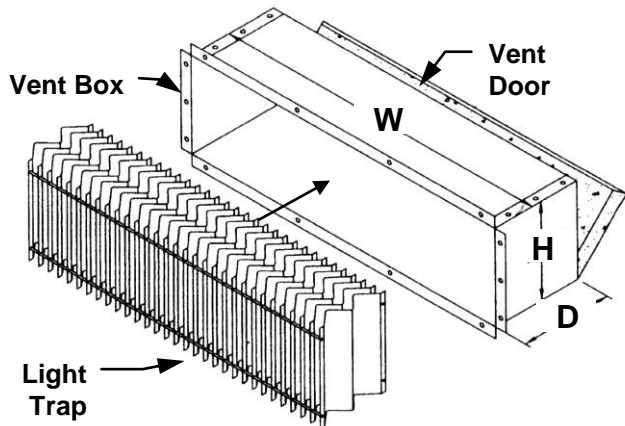


Figure 1 Install Light Trap in Vent Box

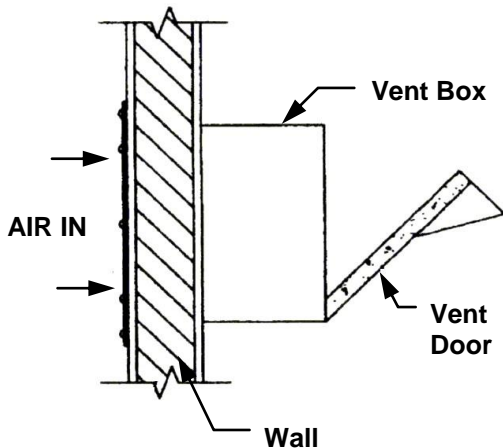


Figure 2 Install Vent into Wall

4. From the outside of the building, insert the Vent Box into the rough opening and secure with fourteen #12x1" tek screws (1004-7041). See Figure 2.
5. Attach the Vent Door to the pulley system as required.
6. Installation Complete.