



Installing Continuous Light Trap

HIRED-HAND®

▲ Warning!

Disconnect All Electrical Power Sources Before Installing Light Trap

Tools Required

Power Drill Level 3/8" Driver 1/4" Driver 5/16" Driver Step Ladder

Description

These instructions are for a continuous Light Trap installed in a dedicated wall in a poultry confinement building. These instructions cover mounting the Light Trap to either a steel framed wall or to a wooden framed wall. Refer to Figure 1. There are two types of Light Traps: Blackout and Brownout.

The Blackout and Brownout Light Traps come in two models: C(Continuous) and CS(Continuous Slanted). These are illustrated in the next section. The Continuous mounts flush to a wall. The Continuous Slanted mounts to a wall with a slanted kneewall. The only difference in these models is the bottom bracket of the Continuous Slanted. The bottom bracket is adjustable in order to fit a slanted kneewall. See the next section for the Framing Dimensions for the Light Trap models.

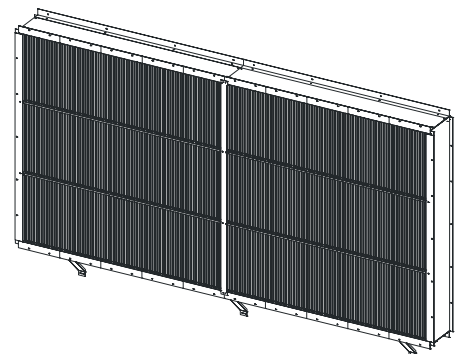
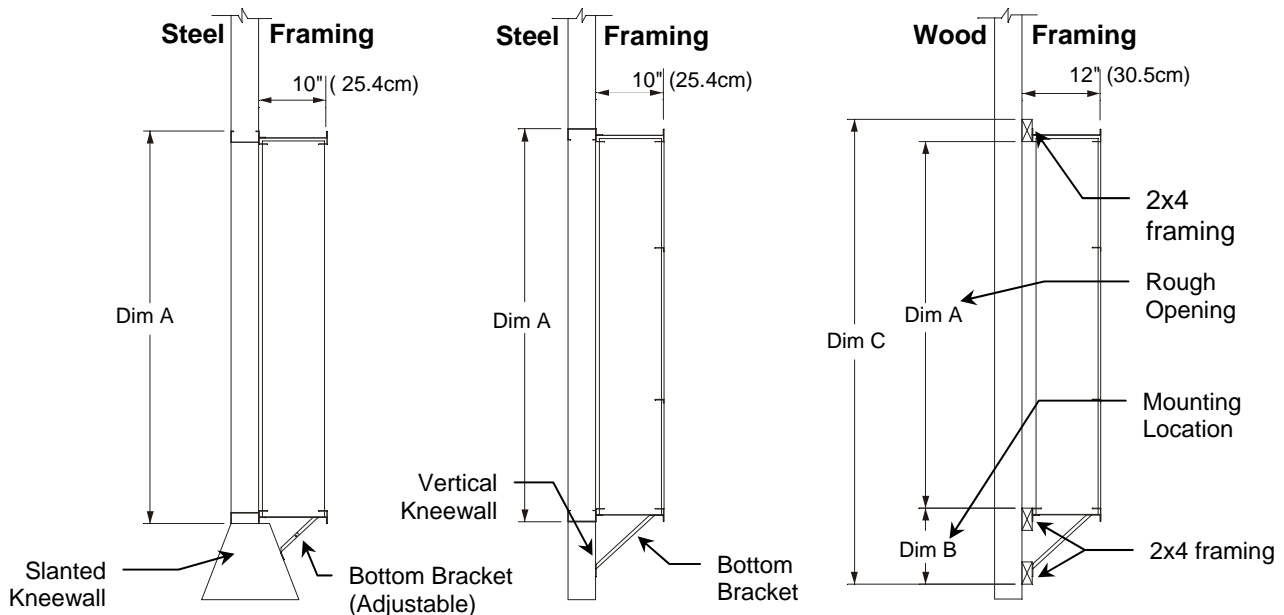


Figure 1 – Continuous Light Trap

Continuous Light Trap Framing Dimensions



Steel Framing	Dim A
4 ft Cont.	50" (127.00 cm)
5 ft Cont.	62" (157.48 cm)
6 ft Cont.	70" (187.96 cm)
8 ft Cont.	98" (248.92 cm)

Wood Framing	Dim A	Dim B	Dim C
4 ft Cont.	46" (116.84 cm)	12" (30.48 cm)	61 1/2" (156.21 cm)
5 ft Cont.	58" (147.32 cm)	12" (30.48 cm)	73 1/2" (186.69 cm)
6 ft Cont.	70" (177.80 cm)	12" (30.48 cm)	85 1/2" (217.17 cm)
8 ft Cont.	94" (238.76 cm)	12" (30.48 cm)	109 1/2" (278.13 cm)

Installation Instructions

STEP 1

Attach Mounting Angles to the Top and Bottom using four 3/8" x 1/2" Tek Screws (1004-0080). See Figure 2.

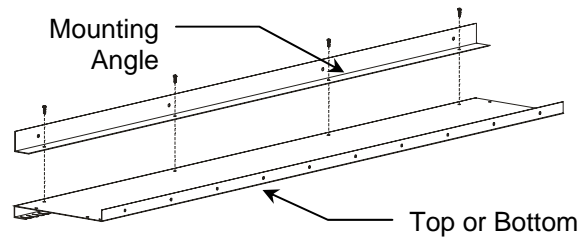


Figure 2 – Assemble Top & Bottom Mounting Angles

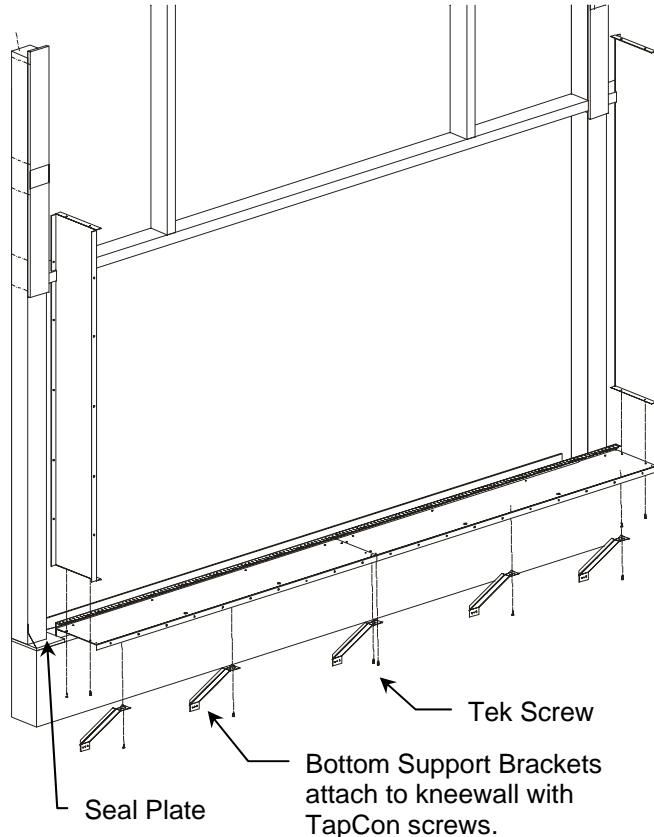


Figure 3 – Assemble Bottom and Sides

STEP 5

Attach sides to bottom at each end of the Light Trap system using two 1004-0080 Screws per side. Plumb the side and fasten to the wall using 1004-0054 tek screws for steel framing or 1004-1386 screws for wood framing. See Figure 3.

STEP 6

Attach the top to the side using two 1004-0080 Screws. Level the Top and fasten the Upper Cee using four 1004-0054 tek screws. Continue running tops for the remainder of the system leveling each top as installed. See Figure 4.

STEP 2

Attach the Bottoms to the Seal Plate, aligning the Top of the Mounting Angle to the top of the Seal Plate. See Figure 3.

STEP 3

Attach Bottom Support Brackets to the bottom using 1004-2492 tek screws. Support Brackets should be installed one in middle of bottom and one on each end centered between adjoining bottoms. See Figure 3.

STEP 4

Using a level, level the bottoms and attach bottom of Bottom Support Bracket to the kneewall using one 1004-6024 screw per support arm for concrete or a 1004-1386 for wood. See Figure 3.

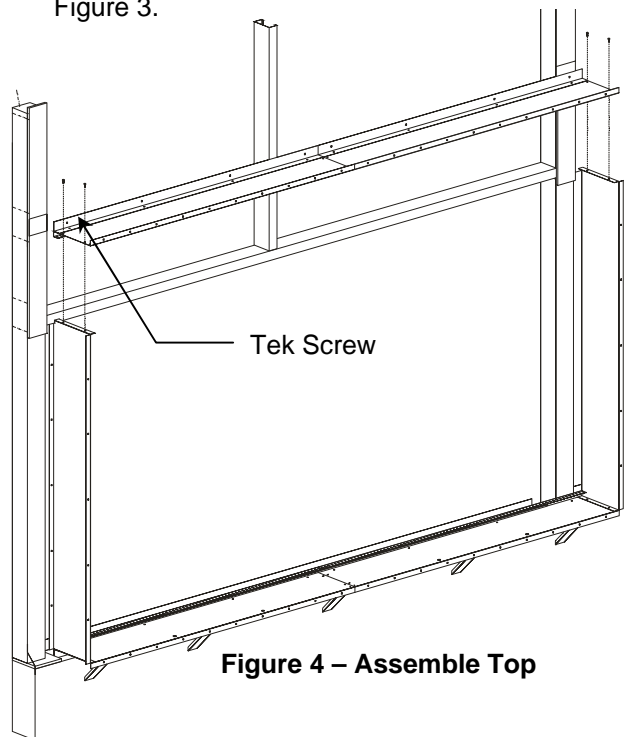


Figure 4 – Assemble Top

STEP 7

Attach a 5 foot spacer to the back of the Top/Bottom with four 1004-2492 Tek Screws. The Spacer should be centered between adjoining Tops/Bottoms, with flanges facing back. NOTE: If Post or Cee is located directly between adjoining Top/Bottom, do not attach spacer. See Figure 5.

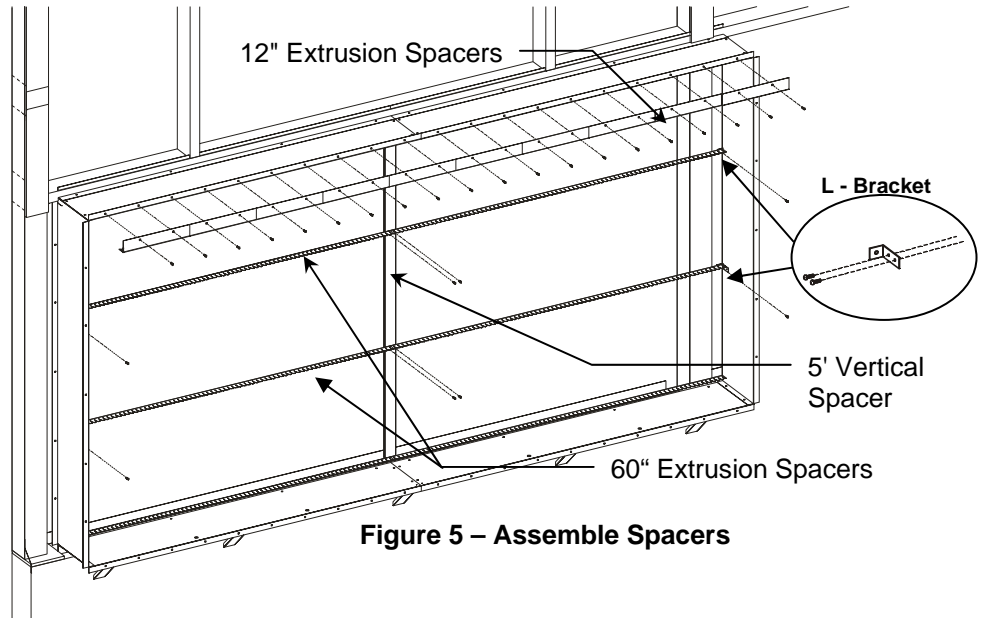


Figure 5 – Assemble Spacers

STEP 8

Attach a 60" Extrusion Spacer to Vertical Spacers using 2 1004-0080 tek screws per 60" Spacer. An L-Bracket will have to be attached to the sides using two 1004-2492 bolts per L-Bracket. L-Bracket should be leveled with holes in Vertical Spacer. See Figure 5.

STEP 9

Attach Top row of 12" (30.48 cm) Extrusion Spacers using two 1004-0080 tek screws per Spacer. See Figure 5.

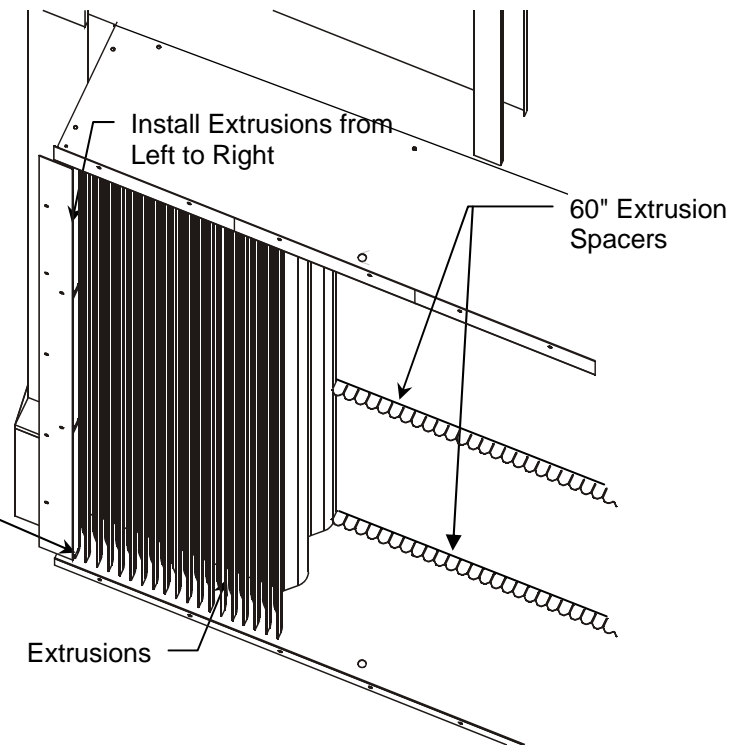
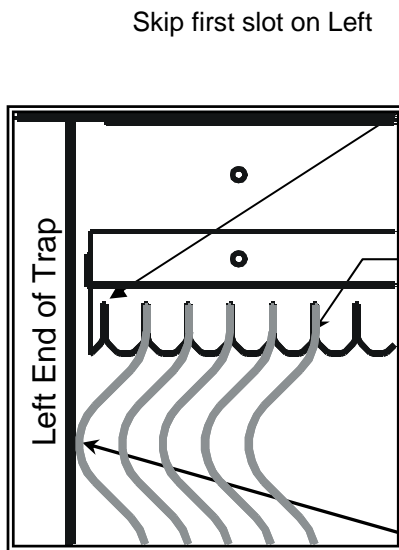


Figure 6 – Assemble Vertical Spacers



Detail A

STEP 10

Install Extrusions from left to right skipping the first left slot. (NOTE: Extrusions must be straight, i.e. contacting all notches.) See Figure 6.

CAUTION: Extrusions must be installed as shown in Detail A, with rear curved portion toward left end.

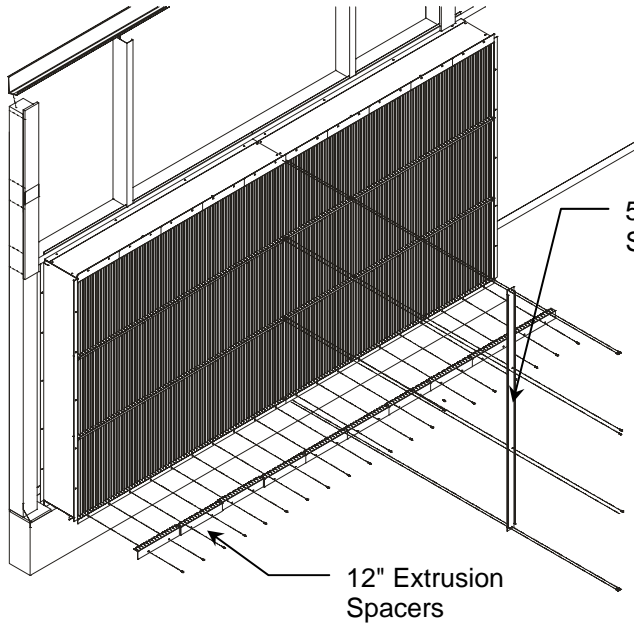


Figure 7 – Assemble Extrusion & Vertical Spacers

STEP 11

Install the bottom row of 12 inch (30.48 cm) Extrusion Spacers using two 1004-0080 tek screws per Spacer. See Figure 7.

STEP 12

Attach 5 foot Vertical Spacer to the Top and Bottom using four 1004-2492 tek screws. Spacer should be centered between and joining top and bottom. Also, align top of the flange with the bottom of the 12" (30.48 cm) Extrusion Spacer. At the bottom, align the bottom of the flange to the top of the Extrusion Spacer. See Figure 7.

STEP 13

Attach the 60 inch Extrusion Spacer to the Vertical Spacers using two 1004-0080 Tek Screws. See Figure 7.

STEP 14

Install the Expansion Brackets (0404-7684) in two locations on each 60" Extrusion Spacer. One should be installed in the center of the 60" Extrusion Bracket as shown in Figure 8. The second installed near the 5' Vertical Spacer (Not shown in Figure 8.) Expansion Brackets should be installed on each 60" Extrusion Spacer.

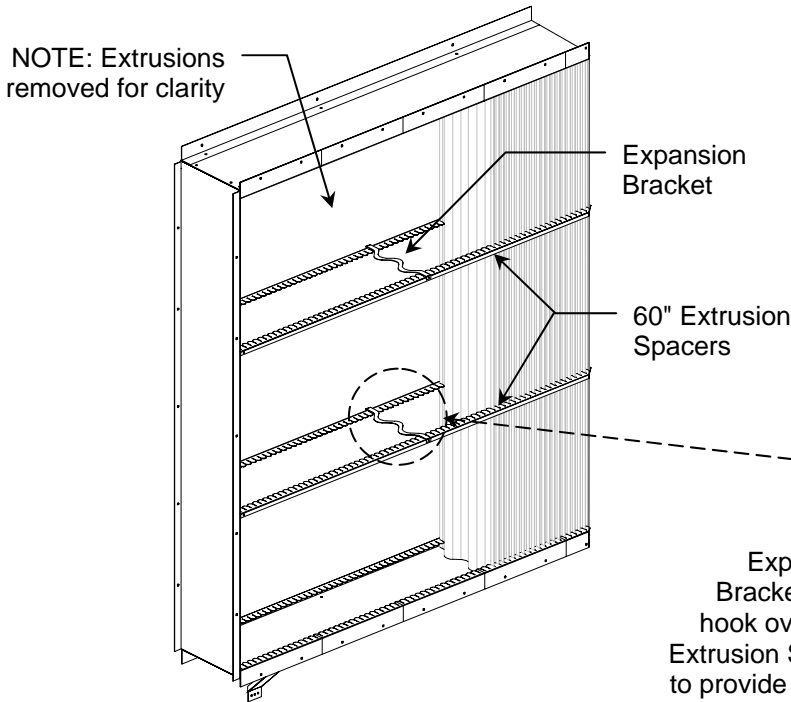
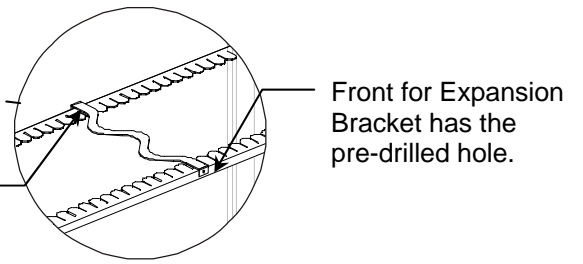


Figure 8 – Install Expansion Bracket



Detail A

To install, slide the Expansion Bracket between two extrusions. See Detail A. The hole in the bracket should be to the front to allow the clip end to hook over the rear 60" Extrusion Bracket. Attach the front of the Expansion Bracket with one tek screw (1004-2492).

STEP 15

Attach left and right trim to the sides using five 1004-0080 tek screws. Attach the end of the 60 inch (152.40 cm) Extrusion Spacer to the Trim using one 1004-0080 tek screw. See Figure 9.

STEP 16

Assembly Complete.

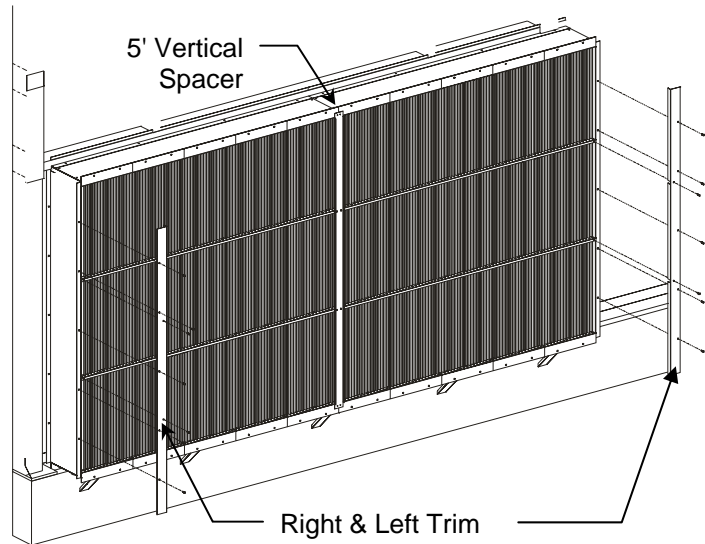
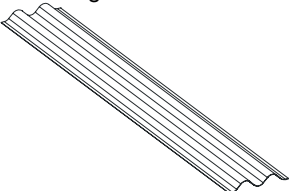
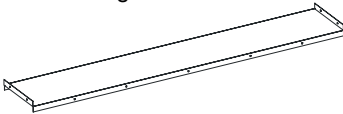

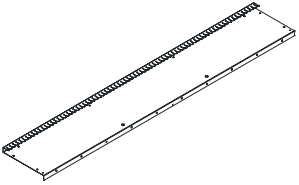
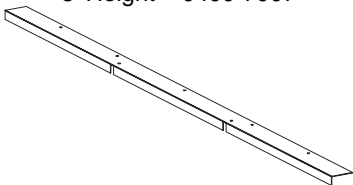
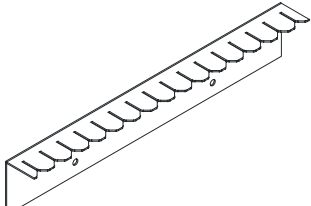
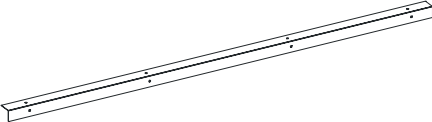

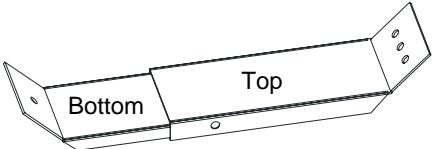


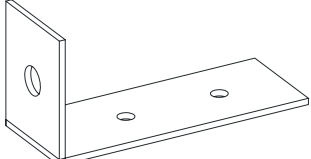


Figure 9 – Assemble Right & Left Trim

Parts List		
<p>Extrusion 4' Height - 0006-8002 5' Height - 0006-8001 6' Height - 0006-8000 8' Height - 0006-8003</p> 	<p>Sides 4' Height - 0404-7044 5' Height - 0404-7045 6' Height - 0404-7046 8' Height - 0400-7047</p> 	<p>Vertical Spacer Retainer 4' Height - 0404-7051 5' Height - 0404-7052 6' Height - 0404-7053 8' Height - 0400-7054</p> 
<p>Top/Bottom Blackout - 0404-7056 Brownout - 0404-7312</p> 	<p>Trim 4' Height - 0404-7090 5' Height - 0404-7089 6' Height - 0404-7088 8' Height - 0400-7007</p> 	<p>12" Extrusion Spacer Blackout - 0404-7094 Brownout - 0404-7097</p> 
<p>Mounting Angle 0404-7091</p> 	<p>60" Extrusion Spacer Blackout - 0404-7069 Brownout - 0404-7313</p> 	<p>Bottom Support Bracket (Adjustable) Top - 0404-7041 Bottom - 0404-7042</p> 
<p>Bottom Support Bracket 0404-7093</p> 	<p>Expansion Bracket 0404-7684</p> 	<p>L - Bracket 0404-7160</p> 



HIRED-HAND®