

# Zone Brooder Control Box

Instructions Manual

PNEG-801

Date: 01-01-15



PNEG-801



# Contents

**Chapter 1 Safety** .....4  
     Safety Guidelines .....4  
     Safety Instructions .....5  
     Safety Alert Symbol .....5

**Chapter 2 Schematic of Control Box** .....6

**Chapter 3 Control Box Hook-Up Diagram** .....7

**Chapter 4 Components on Plate** .....8

**Chapter 5 Components on Box** .....9

**Chapter 6 Warranty** .....11

### Safety Guidelines

This manual contains information that is important for you, the owner/operator, to know and understand. This information relates to protecting **personal safety** and **preventing equipment problems**. It is the responsibility of the owner/operator to inform anyone operating or working in the area of this equipment of these safety guidelines. To help you recognize this information, we use the symbols that are defined below. Please read the manual and pay attention to these sections. Failure to read this manual and its safety instructions is a misuse of the equipment and may lead to serious injury or death.



**This is the safety alert symbol. It is used to alert you to potential personal injury hazards. Obey all safety messages that follow this symbol to avoid possible injury or death.**



This symbol indicates an imminently hazardous situation which, if not avoided, **will result in serious injury or death.**



This symbol indicates a potentially hazardous situation which, if not avoided, **may result in serious injury or death.**



This symbol indicates a potentially hazardous situation which, if not avoided, **may result in minor or moderate injury.**



This symbol indicates a potentially hazardous situation which, if not avoided, **may result in property damage.**

## Safety Instructions

The GSI Group, LLC principle concern is your safety and the safety of others associated with poultry feeding equipment. This manual was written with thought in mind. This manual is to help you, the customer, understand safe installation and operating procedures.

Personnel operating or working around the zone brooder control should read and understand this manual before trying to operate the zone brooder control. This manual must be delivered with equipment to its owner. Failure to read this manual and its safety instructions is misuse of the equipment.

As owner/operator it is your responsibility to know what requirements, hazards and precautions exist, and to inform all personnel associated with the equipment or who are working around the timer area. Avoid any alterations to the equipment. Such alterations may produce a dangerous situation where injury or death may occur.

The very nature of the Zone Brooder control having electrical components does present a hazard to personnel which cannot be completely safeguarded against without interfering with efficient operation and reasonable access to components.

## Safety Alert Symbol

The symbol below is used to call your attention to instructions concerning your personal safety. Watch for this symbol as it points out important safety instructions. If the decal has been damaged or is missing, contact GSI for a free replacement.

GSI Group  
1004 East Illinois Street  
Assumption, IL 62510  
Ph: 1-217-226-4421



The **DC-889** decal is displayed in areas with electrical hazard.

## 2. Schematic of Control Box

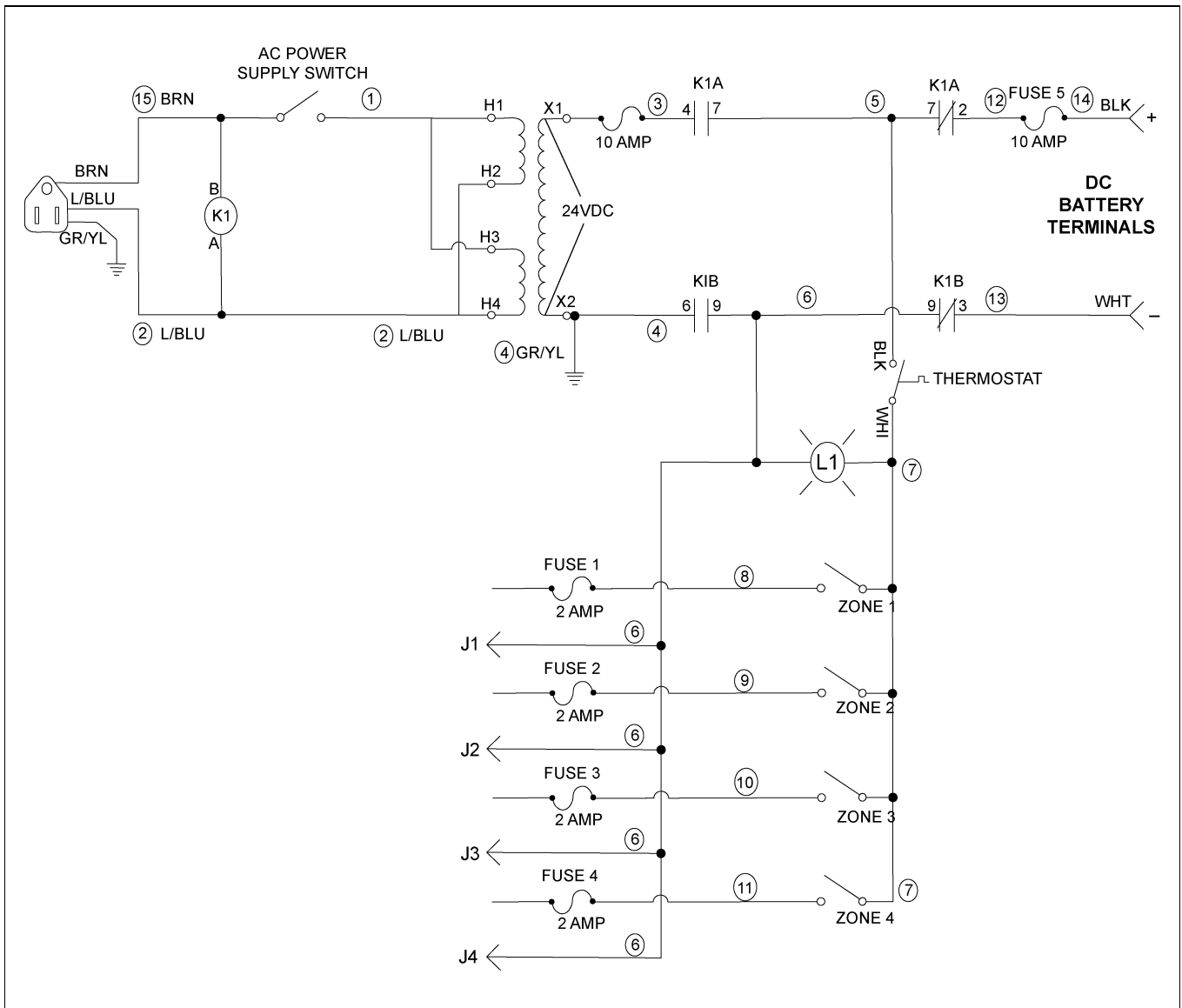


Figure 2A Schematic of Control Box

### 3. Control Box Hook-Up Diagram

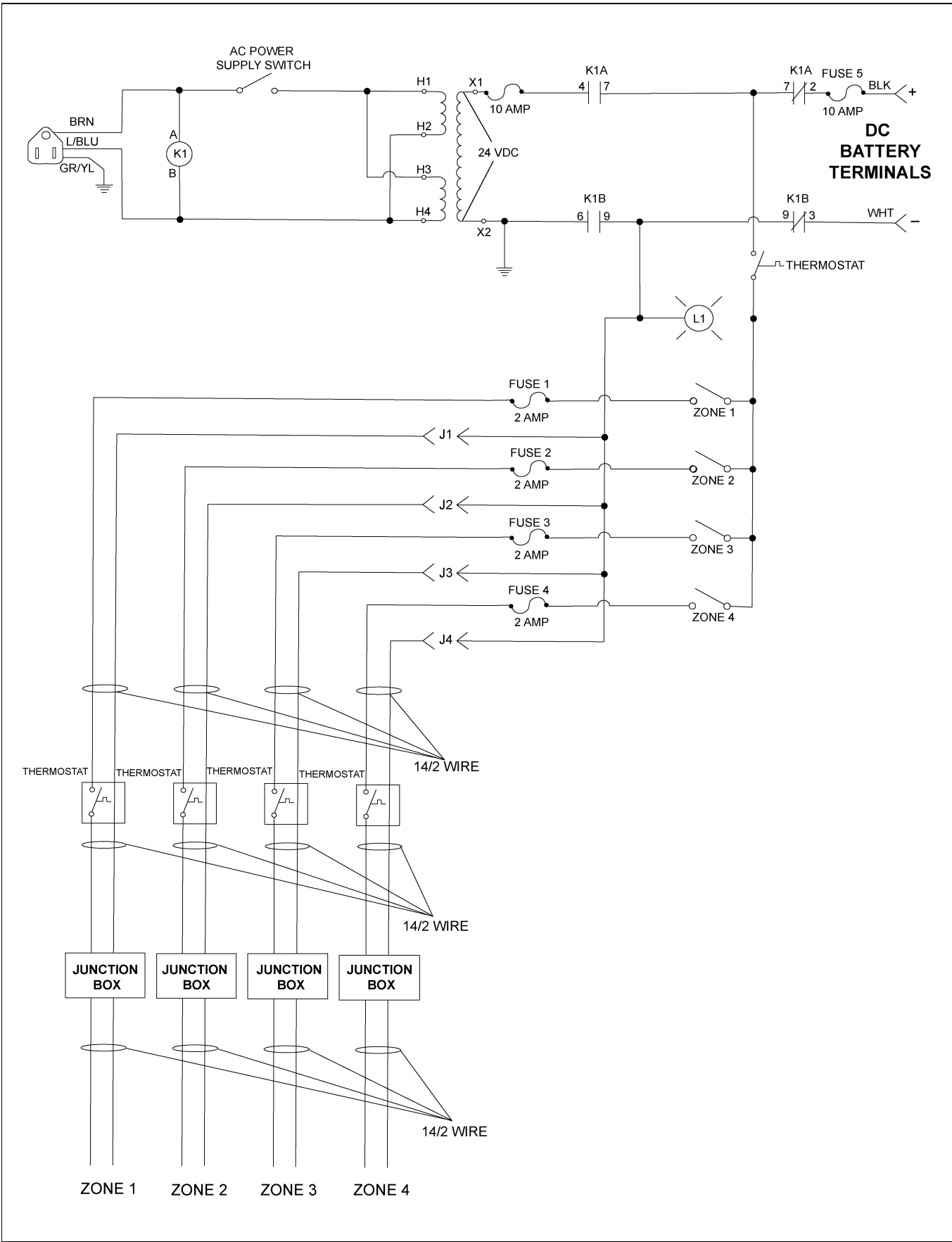


Figure 3A Control Box Hook-Up Diagram

## 4. Components on Plate

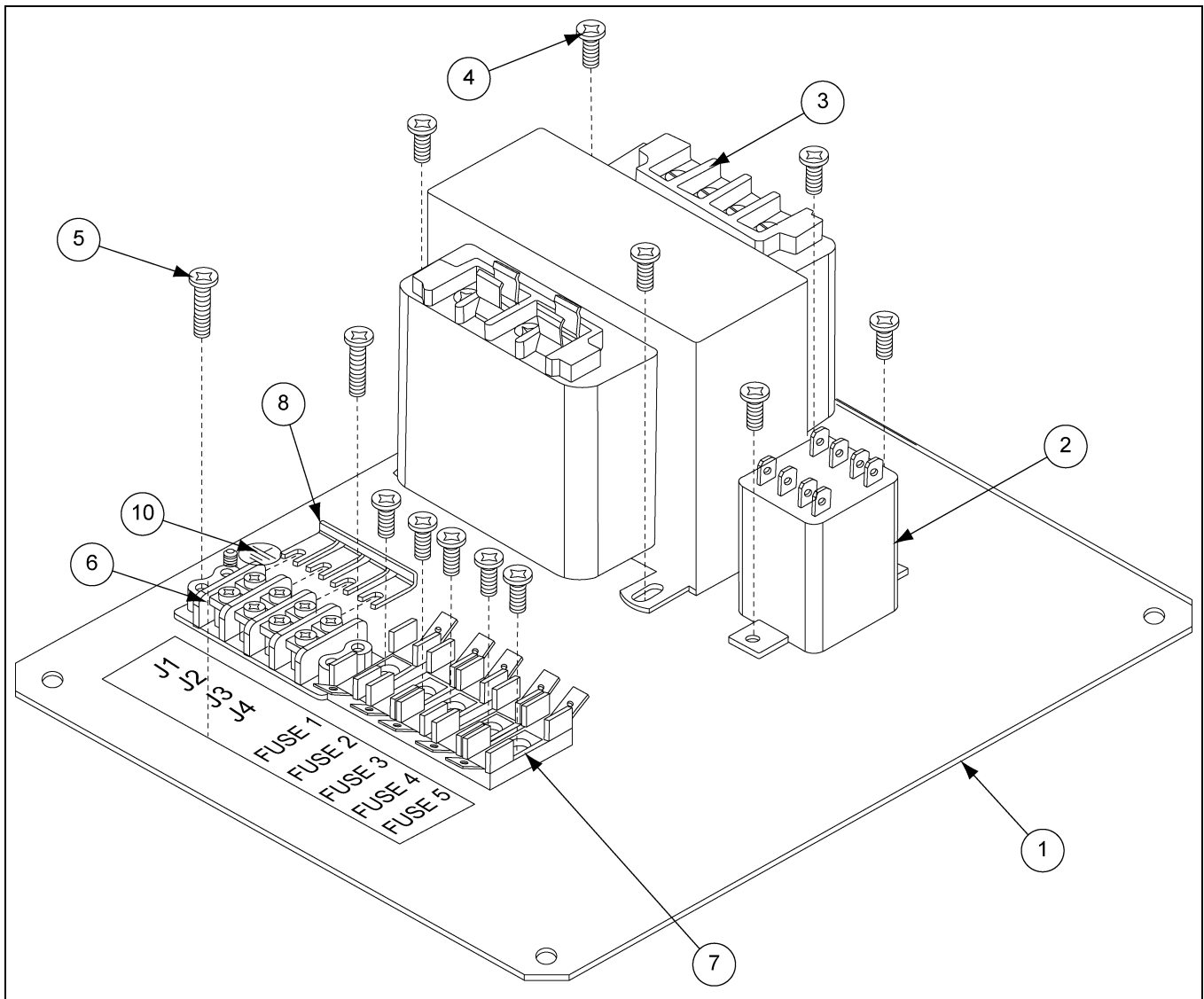


Figure 4A Components on Plate

Ref #	Part #	Description	Qty	U/M
1	E170-A1074	Backing Plate for Zone Brooder Control	1	Each
2	E260-1045	Realy, DPDT, 30 Amp, 120 VAC	1	Each
3	E162-1015	Transformer, 250V, 50/60 Hz.	1	Each
4	S-2786	Screw, #8-32 x 3/8" Phillips Pan Head	11	Each
5	S-7192	Screw, #8-32 x 5/8" Phillips Pan Head	2	Each
6	1773	Terminal Block 4 Pole, 2 Row	1	Each
7	FH-1058	Fuse Block	2.5	Each
8	E240-1121	Connector, 4 Pole Bus Bar	1	Each
9	DC-1388	Decal, 4 Pole Terminal Strip, Zone Border	1	Each
10	DC-1393	Decal, Ground Symbol	1	Each



## 5. Components on Box

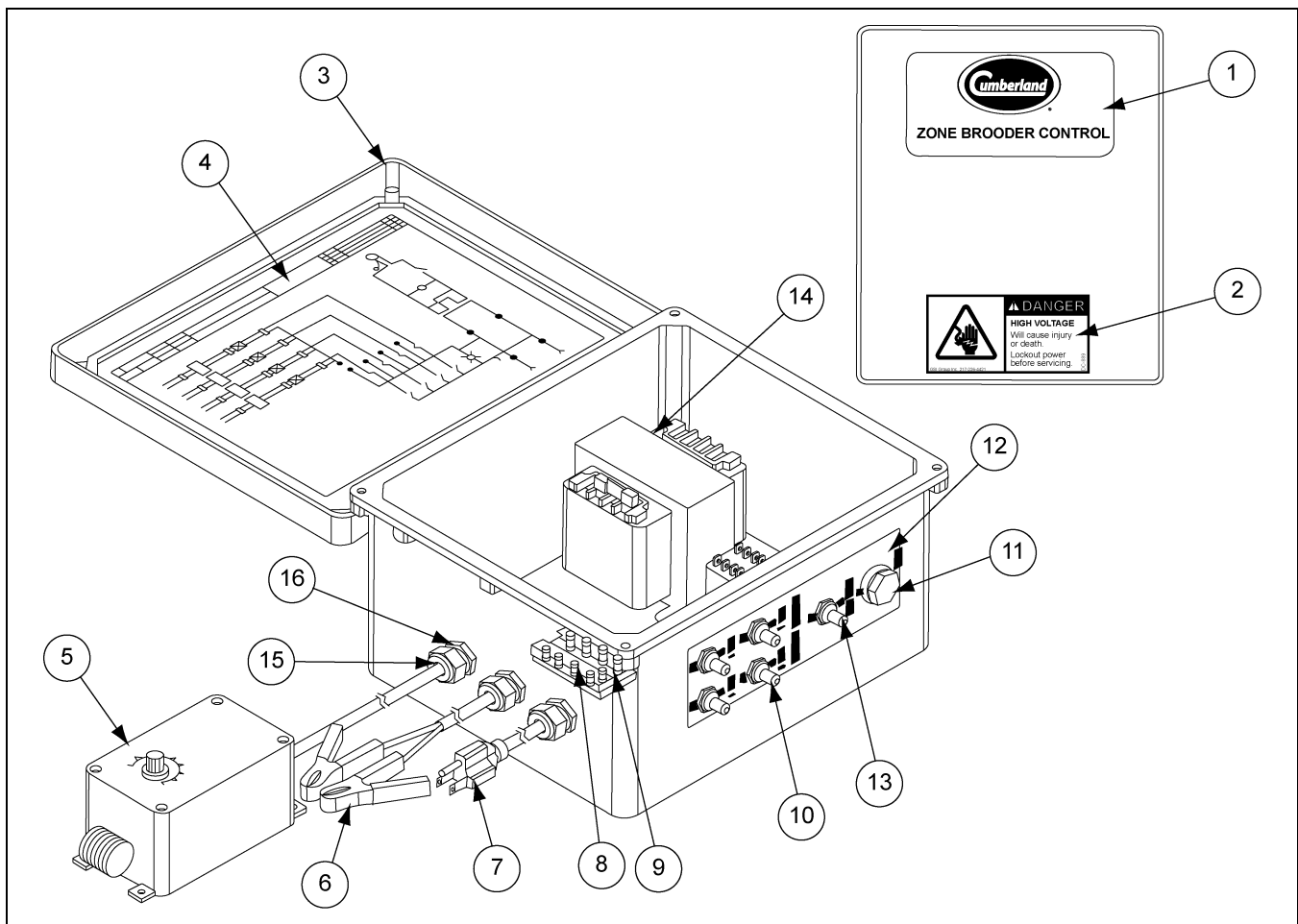


Figure 5A Components on Box

Ref #	Part #	Description	Qty	U/M
1	DC-1367	Decal, Zone Brooder Control	1	Each
2	DC-889	Decal, Danger High Voltage	1	Each
3	7099183	Enclosure, 12 x 10 x 5-1/4, Fiberglass	1	Each
4	E195-1031	Hook-Up Diagram, Zone Brooder Control	1	Each
5	E171-A1021	TH-1 Thermostat with Cable	1	Each
6	E171-A1022	Battery Clips with Cable	1	Each
7	20-5052X	Cord, CE Approved, 120" Long, 18/3 with Male	1	Each
8	4556	Fuse, 2 Amp	4	Each
9	70-0174	Fuse, 10 Amp Slow-Blo	1	Each
10	70-0129	Boot Switch Weather-Proof	5	Each
11	E115-1075	Light, Green, Incandescent, 24 Volt	5	Each
12	DC-1268	Decal, Switches and Lights, Zone Brooder Control	1	Each
13	HH-1442	Switch, SPST, 10A, 125V, Toggle	1	Each
14	E300-1010	Fuse, 10 Amp, Time Delay, 250V	3	Each
15	FH-1310	Connector, 1/2" Heyco	3	Each
16	FH-1309	Lock Nut, 1/2" Arial	3	Each

---

# NOTES

## GSI Group, LLC Limited Warranty

The GSI Group, LLC ("GSI") warrants products which it manufactures to be free of defects in materials and workmanship under normal usage and conditions for a period of 12 months after sale to the original end-user or if a foreign sale, 14 months from arrival at port of discharge, whichever is earlier. The end-user's sole remedy (and GSI's only obligation) is to repair or replace, at GSI's option and expense, products that in GSI's judgment, contain a material defect in materials or workmanship. Expenses incurred by or on behalf of the end-user without prior written authorization from the GSI Warranty Group shall be the sole responsibility of the end-user.

### Warranty Extensions:

The Limited Warranty period is extended for the following products:

	Product	Warranty Period	
<b>AP Fans and Flooring</b>	Performer Series Direct Drive Fan Motor	3 Years	* Warranty prorated from list price: 0 to 3 years - no cost to end-user 3 to 5 years - end-user pays 25% 5 to 7 years - end-user pays 50% 7 to 10 years - end-user pays 75%
	All Fiberglass Housings	Lifetime	
	All Fiberglass Propellers	Lifetime	
<b>AP and Cumberland</b>	Flex-Flo/Pan Feeding System Motors	2 Years	** Warranty prorated from list price: 0 to 3 years - no cost to end-user 3 to 5 years - end-user pays 50%
<b>Cumberland Feeding/Watering Systems</b>	Feeder System Pan Assemblies	5 Years **	
	Feed Tubes (1-3/4" and 2.00")	10 Years *	
	Centerless Augers	10 Years *	
	Watering Nipples	10 Years *	
<b>Grain Systems</b>	Grain Bin Structural Design	5 Years	† Motors, burner components and moving parts not included. Portable dryer screens included. Tower dryer screens not included.
<b>Grain Systems Farm Fans Zimmerman</b>	Portable and Tower Dryers	2 Years	
	Portable and Tower Dryer Frames and Internal Infrastructure †	5 Years	

GSI further warrants that the portable and tower dryer frame and basket, excluding all auger and auger drive components, shall be free from defects in materials for a period of time beginning on the twelfth (12<sup>th</sup>) month from the date of purchase and continuing until the sixtieth (60<sup>th</sup>) month from the date of purchase (extended warranty period). During the extended warranty period, GSI will replace the frame or basket components that prove to be defective under normal conditions of use without charge, excluding the labor, transportation, and/or shipping costs incurred in the performance of this extended warranty.

### Conditions and Limitations:

THERE ARE NO WARRANTIES THAT EXTEND BEYOND THE LIMITED WARRANTY DESCRIPTION SET FORTH ABOVE. SPECIFICALLY, GSI MAKES NO FURTHER WARRANTY OF ANY KIND, EXPRESS OR IMPLIED, INCLUDING, WITHOUT LIMITATION, WARRANTIES OF MERCHANTABILITY OR FITNESS FOR A PARTICULAR PURPOSE OR USE IN CONNECTION WITH: (I) PRODUCT MANUFACTURED OR SOLD BY GSI OR (II) ANY ADVICE, INSTRUCTION, RECOMMENDATION OR SUGGESTION PROVIDED BY AN AGENT, REPRESENTATIVE OR EMPLOYEE OF GSI REGARDING OR RELATED TO THE CONFIGURATION, INSTALLATION, LAYOUT, SUITABILITY FOR A PARTICULAR PURPOSE, OR DESIGN OF SUCH PRODUCTS.

GSI shall not be liable for any direct, indirect, incidental or consequential damages, including, without limitation, loss of anticipated profits or benefits. The sole and exclusive remedy is set forth in the Limited Warranty, which shall not exceed the amount paid for the product purchased. This warranty is not transferable and applies only to the original end-user. GSI shall have no obligation or responsibility for any representations or warranties made by or on behalf of any dealer, agent or distributor.

GSI assumes no responsibility for claims resulting from construction defects or unauthorized modifications to products which it manufactured. Modifications to products not specifically delineated in the manual accompanying the equipment at initial sale will void the Limited Warranty.

This Limited Warranty shall not extend to products or parts which have been damaged by negligent use, misuse, alteration, accident or which have been improperly/inadequately maintained. This Limited Warranty extends solely to products manufactured by GSI.

Prior to installation, the end-user has the responsibility to comply with federal, state and local codes which apply to the location and installation of products manufactured or sold by GSI.

This equipment shall be installed in accordance with the current installation codes and applicable regulations, which should be carefully followed in all cases. Authorities having jurisdiction should be consulted before installations are made.



**1004 E. Illinois St.  
Assumption, IL 62510-0020  
Phone: 1-217-226-4421  
Fax: 1-217-226-4420  
[www.gsiag.com](http://www.gsiag.com)**



Cumberland is a part of GSI, a worldwide brand of AGCO Corporation.