



HSI Brooder Heat Shield Installation

Super-Saver Bunsen Jet HSI Brooder

⚠ WARNING

Disconnect all Electrical Power before installing the Heat Shield.

IMPORTANT!

Locate packing slip and make sure that all listed parts are enclosed. If not, call your Cumberland distributor immediately. Please read and understand all instructions in this manual before installing Heat Shield.

TOOLS REQUIRED

| | |
|-------------|------------|
| Screwdriver | Socket Set |
|-------------|------------|

PART NUMBERS

| HSI Brooder Heat Shield Kit(6450-4800) | | |
|--|-------|-----------------------|
| Part Number | Quan. | Description |
| 0404-7554 | 1 | Heat Shield Deflector |

INSTRUCTIONS

1. Turn off or disconnect gas lines, electrical power and powered cabling to the Brooder.
2. Unpack the Heat Shield and check for all listed parts.
3. Remove the two front mounting screws and nuts from the brooder that hold the control box. See Figure 1. Save this hardware for reinstallation.
4. See Figure 2. Carefully install the Heat Shield underneath the canopy. Slide the shield around the cabling and gas line. Align the holes in the shield and re-Install the two screws and bolts removed in Step 3 above.
5. Reconnect the gas supply and electrical power removed in Step 1.
6. Installation complete. See Figure 3.

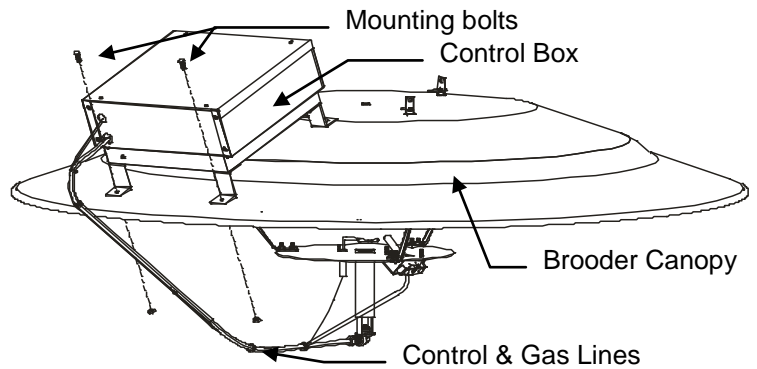


Figure 1 Remove the Two Front Mounting Screws and Bolts

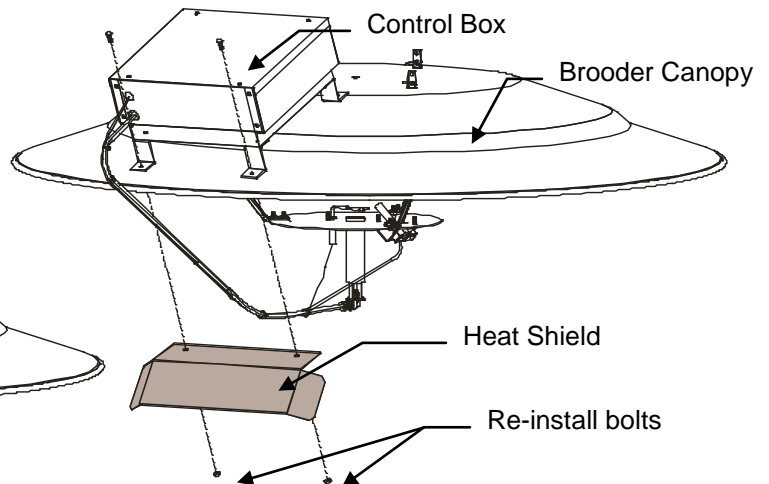


Figure 2 Install Heat Shield

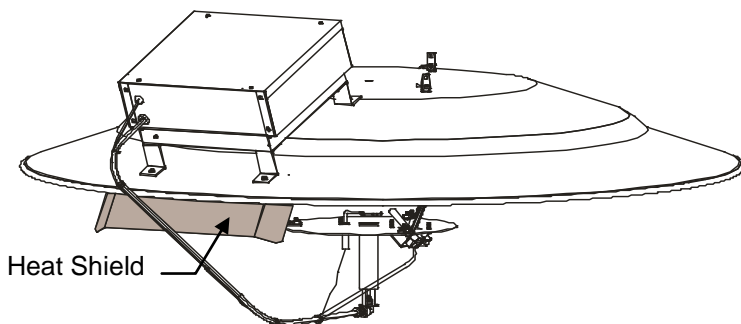


Figure 3 Heat Shield Installed

